



**Illustrated Parts Catalogue**

**Illustrated Parts Catalogue  
Woodward Diesel Systems**

**Waukesha Engine Division (formerly Brons)  
Pumps & Injectors**

**Manual 55188**

## General

This Illustrated Parts Catalog (IPC) is designed to assist customers in identifying spare parts for the most common applications of Woodward equipment.

We recognize that there may be instances where engines of identical type have, at times, been fitted with fuel injection equipment which differs from that listed. It is important, therefore, to quote the type-code of the equipment in use when ordering replacement parts.

A number in parenthesis indicates quantity per unit of more than one.

An item number with suffix "ND" indicates item Not Drawn, and suffix "AR" indicates As Required.

Part numbers of other manufacturers are included for cross reference purposes only.

It is Woodward policy to update the information contained in this catalog periodically and to re-issue to Distributors and Operators as appropriate.

This IPC contains the spare part and sub assembly level of breakdown consistent with the overhaul and maintenance policy recommended by Woodward Diesel Systems.

If you have a need for additional or change information to be included in this IPC or for other applications to be added please contact Woodward Customer Services Department. Your requirements will be considered at the next revision point.

Woodward Diesel Systems strive to achieve the maximum accuracy of the information provided within this document, no liability can be accepted by Woodward for damage, loss or injury caused by any errors in the information within this IPC.

To guarantee the safety, performance, and reliability of the equipment, only genuine Woodward spares must be used during rework.

## References

These publications are available at [www.woodward.com/publications](http://www.woodward.com/publications):

**55142**—Diesel Engine Fuel Pump Supersession List

**55143**—Diesel Engine Fuel Pump Application List

**55151**—Fuel Injection Equipment Introductory Manual

**55152**—Practical Aspects of Fuel Injection Equipment

Woodward Governor Company reserves the right to update any portion of this publication at any time. Information provided by Woodward Governor Company is believed to be correct and reliable. However, no responsibility is assumed by Woodward Governor Company unless otherwise expressly undertaken.

© Woodward 2008  
All Rights Reserved

# Contents

FCCAB180B0444 Fuel Injection Pump .....2  
FCOAB160B0406 Fuel Injection Pump .....4  
99/381 Injector .....6

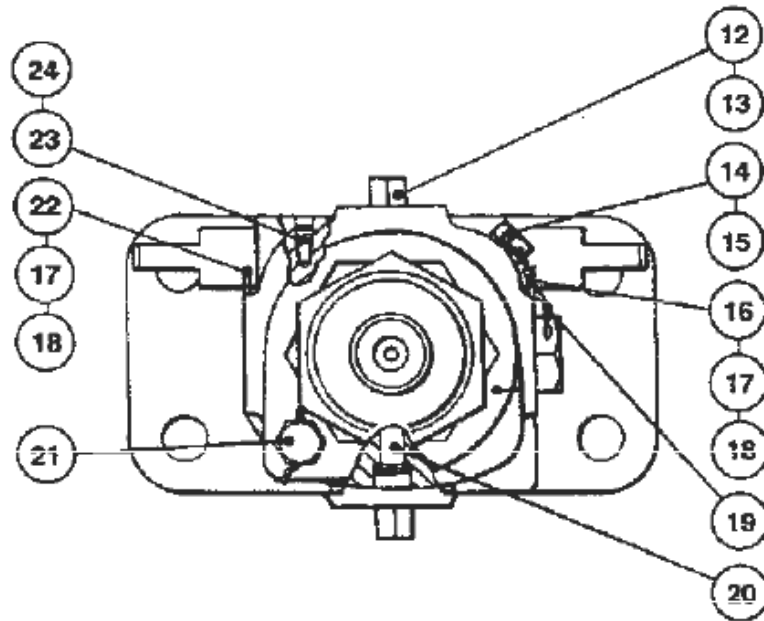
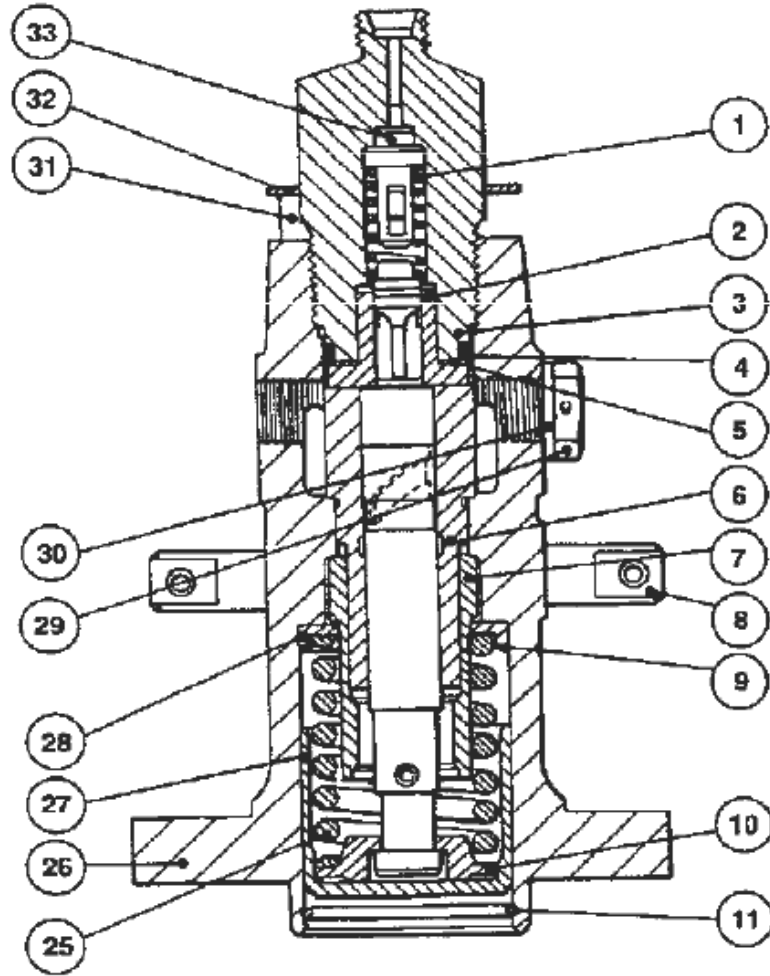
## Waukesha Engine Division (formerly Brons)

<b>Pump</b>	<b>Injector</b>	<b>Engine Ref.</b>
FCCAB180B0444	—	606HDN, 806HDN
FCOAB160B0406	99/381	RUB215

## FCCAB180B0444 Fuel Injection Pump for Waukesha 606HDN & 806HDN Engines

(April 1995, Issue #2)

Item			
No.	Part Name	Woodward No.	Waukesha No.
	Fuel Pump	FCCAB180B0444	
1	Spring delivery valve	6/121	
2	Delivery valve & seat assembly	21/125B	
3	Delivery valve holder	6/157	
4	Seal-O-ring	372/20	
5	Seal-high pressure	6/120	
6	Element assembly	6/110C	
7	Control sleeve	6/349	
8	Control rod assembly	6/183	
9	Circlip-upper	25/25	
10	Spring plate-lower	6/107	
11	Circlip-lower	6/105	
12	Spill plug (2)	6/464	
13	Washer-spill plug (2)	113/27	
14	Screw-vent	3/262	
15	Washer-vent screw	113/75	11-9776-108
16	Pointer-control rod L.H.	3/2A	
17	Screw-pointer (2)	297/203	11-9776-114
18	Shims-pointer (2AR)	106/1A-E	11-9776-115
19	Locking wire (AR)	18SWG	
20	Dowel-barrel locating	6/125	
21	Bolt-locking plate	25/21	
22	Pointer-control rod R.H.	3/2	11-9776-113
23	Screw-control rod locating (2)	25/17	
24	Lead seal (2)	2/2	
25	Spring-plunger	6/109	
26	Pump housing	6/184	
27	Tappet	6/106	
28	Spring plate-upper	7022/232	
29	Blanking plug-inlet	6/102	
30	Washer-inlet connector	NW5/50W4	
31	Collar-locking plate	25/22	
32	Locking plate	6/126	
33	Spring peg	21/321B	

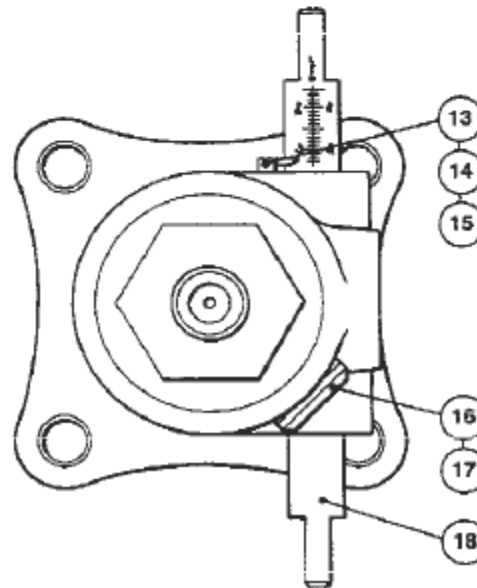
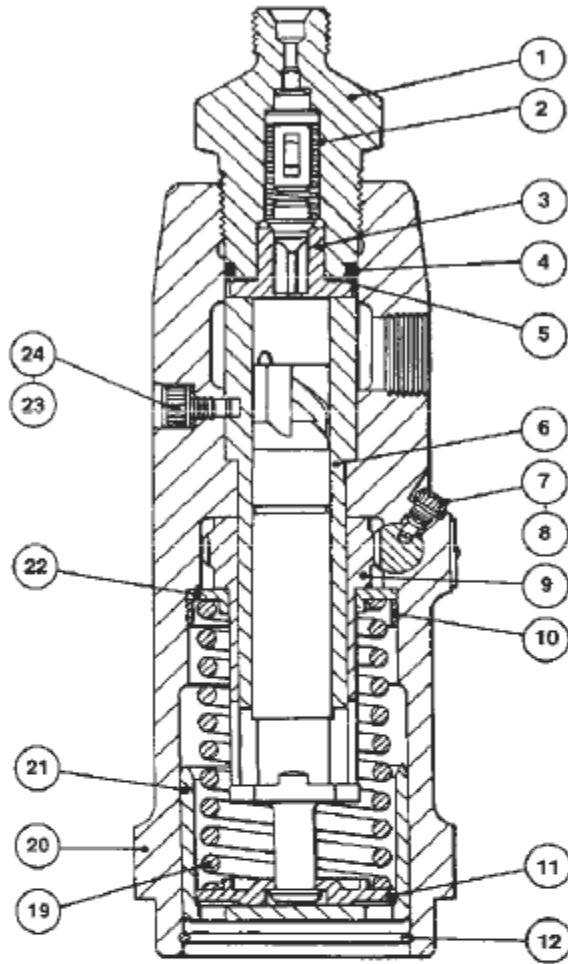


FCCAB180B0444 Fuel Injection Pump

## FCOAB160B0406 Fuel Injection Pump for Waukesha RUB215 Engine

(April 1995, Issue #2)

Item			
No.	Part Name	Woodward No.	Waukesha No.
	Injector	99/262	
1	Screw-adjusting	7008/36B	
	Fuel Pump	FCOAB160B0406	
1	Delivery valve holder	3/391	2344016
2	Spring delivery valve	25/15	1775702
3	Delivery valve & seat assembly	3/503	
4	Seal-O-ring	235/14	2173930
5	Seal-high pressure	3/326	0954444
6	Element assembly L.H.	3/298G	2996032
7	Screw-control rod locating	123/9	0314021
8	Lead seal	3/4699	
9	Control sleeve	3/1C	
10	Circlip-upper	3/4683	035019
11	Spring plate-lower	3/71	
12	Circlip-lower	3/3361	0355020
13	Pointer-control rod	3/2	
14	Screw-pointer	297/203	9914022
15	Shims-pointer (1AR)	106/1A-E	
16	Spill plug	122/3	0632108
17	Washer-spill plug	113/62	
18	Control rod	3/69	0877008
19	Spring-plunger	3/178	1775597
20	Pump housing	3/172	
21	Tappet	3/4682	1650020
22	Spring plate-upper	3/4680	
23	Washer-locating screw	113/75	
24	Screw-barrel locating	3/191	



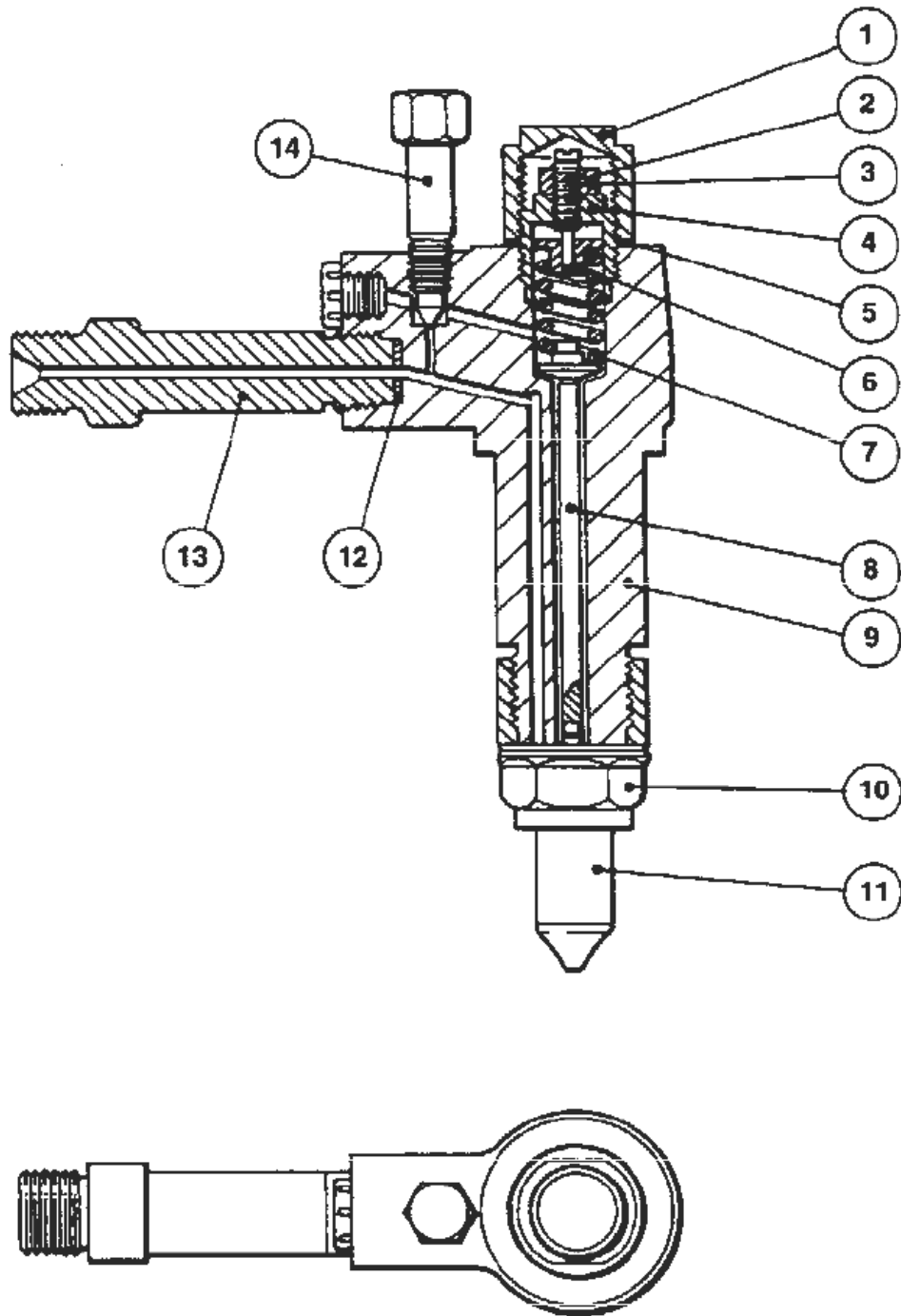
FCOAB160B0406 Fuel Injection Pump

## 99/381 Injector for Waukesha RUB215 Engine

(April 1995, Issue #2)

<b>Item No.</b>	<b>Part Name</b>	<b>Woodward No.</b>	<b>Waukesha No.</b>
	Injector	99/381	
1	Cap nut	51/89	
2	Screw-adjusting	51/91	26-0312-024
3	Locknut-adjusting screw	112/5011	26-0237-087
4	Spring housing	51/90	26-2335-014
5	Washer	113/9	26-2150-356
6	Spring plate-upper	51/87	26-1741-007
7	Spring-injector	52/48	26-1775-822
8	Spindle assembly	52/271L	26-3296-014
9	Nozzle holder body	52/104L	
10	Nozzle nut	52/215	26-0196-013
11	Nozzle assembly	HOT135A369P9	01-3776-075
12	Washer-inlet connector	106/83	26-2150-298
13	Inlet connector	52/267	27-2498-015
14	Screw-vent	52/100	26-1390-011





99/381 Injector

**We appreciate your comments about the content of our publications.**

**Send comments to: [icinfo@woodward.com](mailto:icinfo@woodward.com)**

**Please include the manual number from the front cover of this publication.**



PO Box 1519, Fort Collins CO 80522-1519, USA  
1000 East Drake Road, Fort Collins CO 80525, USA  
Phone +1 (970) 482-5811 • Fax +1 (970) 498-3058

**Email and Website—[www.woodward.com](http://www.woodward.com)**

**Woodward has company-owned plants, subsidiaries, and branches,  
as well as authorized distributors and other authorized service and sales facilities throughout the world.**

**Complete address / phone / fax / email information for all locations is available on our website.**