



Illustrated Parts Catalogue

Illustrated Parts Catalogue Woodward Diesel Systems

**Wärtsilä (formerly Sulzer)
Pumps & Injectors**

Manual 55185

General

This Illustrated Parts Catalog (IPC) is designed to assist customers in identifying spare parts for the most common applications of Woodward equipment.

We recognize that there may be instances where engines of identical type have, at times, been fitted with fuel injection equipment which differs from that listed. It is important, therefore, to quote the type-code of the equipment in use when ordering replacement parts.

A number in parenthesis indicates quantity per unit of more than one.

An item number with suffix "ND" indicates item Not Drawn, and suffix "AR" indicates As Required.

Part numbers of other manufacturers are included for cross reference purposes only.

It is Woodward policy to update the information contained in this catalog periodically and to re-issue to Distributors and Operators as appropriate.

This IPC contains the spare part and sub assembly level of breakdown consistent with the overhaul and maintenance policy recommended by Woodward Diesel Systems.

If you have a need for additional or change information to be included in this IPC or for other applications to be added please contact Woodward Customer Services Department. Your requirements will be considered at the next revision point.

Woodward Diesel Systems strive to achieve the maximum accuracy of the information provided within this document, no liability can be accepted by Woodward for damage, loss or injury caused by any errors in the information within this IPC.

To guarantee the safety, performance, and reliability of the equipment, only genuine Woodward spares must be used during rework.

References

These publications are available at www.woodward.com/publications:

55142—Diesel Engine Fuel Pump Supersession List

55143—Diesel Engine Fuel Pump Application List

55151—Fuel Injection Equipment Introductory Manual

55152—Practical Aspects of Fuel Injection Equipment

Woodward Governor Company reserves the right to update any portion of this publication at any time. Information provided by Woodward Governor Company is believed to be correct and reliable. However, no responsibility is assumed by Woodward Governor Company unless otherwise expressly undertaken.

© Woodward 2008
All Rights Reserved

Contents

FXOAB190B0270 Fuel Injection Pump	2
99/262 Injector	4
99/316 Injector	6

Wärtsilä (formerly Sulzer)

Pump	Injector	Engine Ref.
FXOAB190B0270	99/262	LDA28B, LDA28C British
—	99/316	LDA28A British

FXOAB190B0270 Fuel Injection Pump for Wärtsilä LDA28B, LDA28C British Engine

(May 2000, Issue #7)

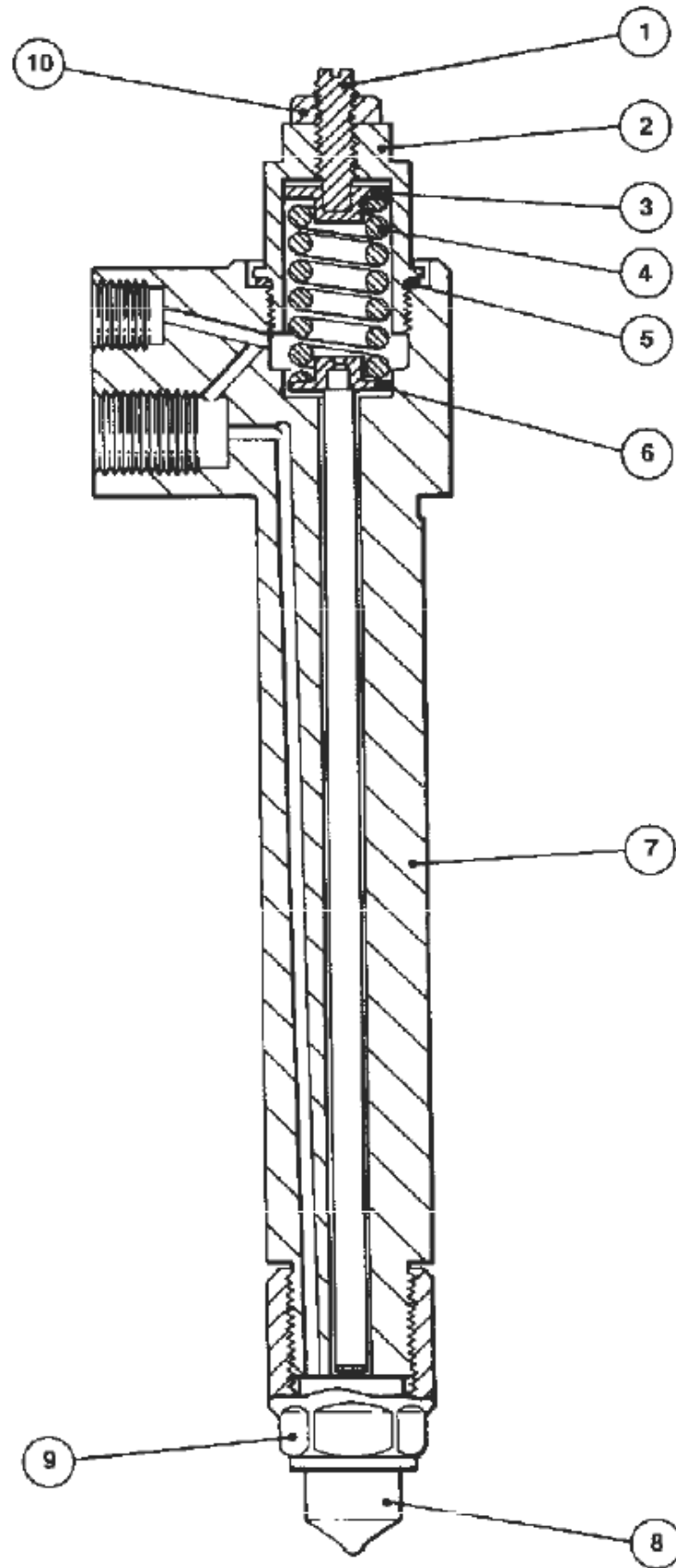
Item			
No.	Part Name	Woodward No.	Wärtsilä No.
	Fuel Pump	FXOAB190B0270	
1	Delivery valve holder	21/213	
2	Spring-delivery valve	21/127	
3	Seal-high pressure	21/139	
4	Washer-inlet connector	113/9	
5	Union-inlet connector	21/195	
6	Element assembly L.H.	21/203	
7	Control rod	21/208	
8	Spring plate-upper	21/7	
9	Circlip-upper	21/11	
10	Tappet	21/205	
11	Spring plate-lower	21/6	
12	Circlip-lower	21/17	
13	Pump housing	21/204	
14	Spring-plunger	21/8	
15	Control sleeve	21/249A	
16	Nut-stop cap	111/9	
17	Washer-locking	205/5	
18	Shims-stop cap (1AR)	21/210A-G	
19	Stop cap-control rod	6/116	
20	Screw-control rod locating	21/197	
21	Seal-O-ring	359/142	
22	Delivery valve & seat assembly	21/125B	
23ND	Spill plug (2)	21/201	
24ND	Washer-spill plug (2)	113/62	
25ND	Screw-barrel locating	21/196	
26ND	Washer-locating screw	106/22	

99/262 Injector for Wärtsilä LDA28B, LDA28C British Engine

(January 1997, Issue #3)

Item

<u>No.</u>	<u>Part Name</u>	<u>Woodward No.</u>	<u>Wärtsilä No.</u>
	Injector	99/262	
1	Screw-adjusting	7008/36B	
2	Spring housing	7024/115	
3	Spring plate-upper	7024/109A	
4	Spring-injector	7024/106	
5	Washer	5936/41	
6	Spindle assembly	7024/8M	
7	Nozzle holder body	7024/123	
8	Nozzle assembly	H145T45H532P6	
9	Nozzle nut	7024/13	
10	Locknut-adjusting screw	NU7-20Y1	



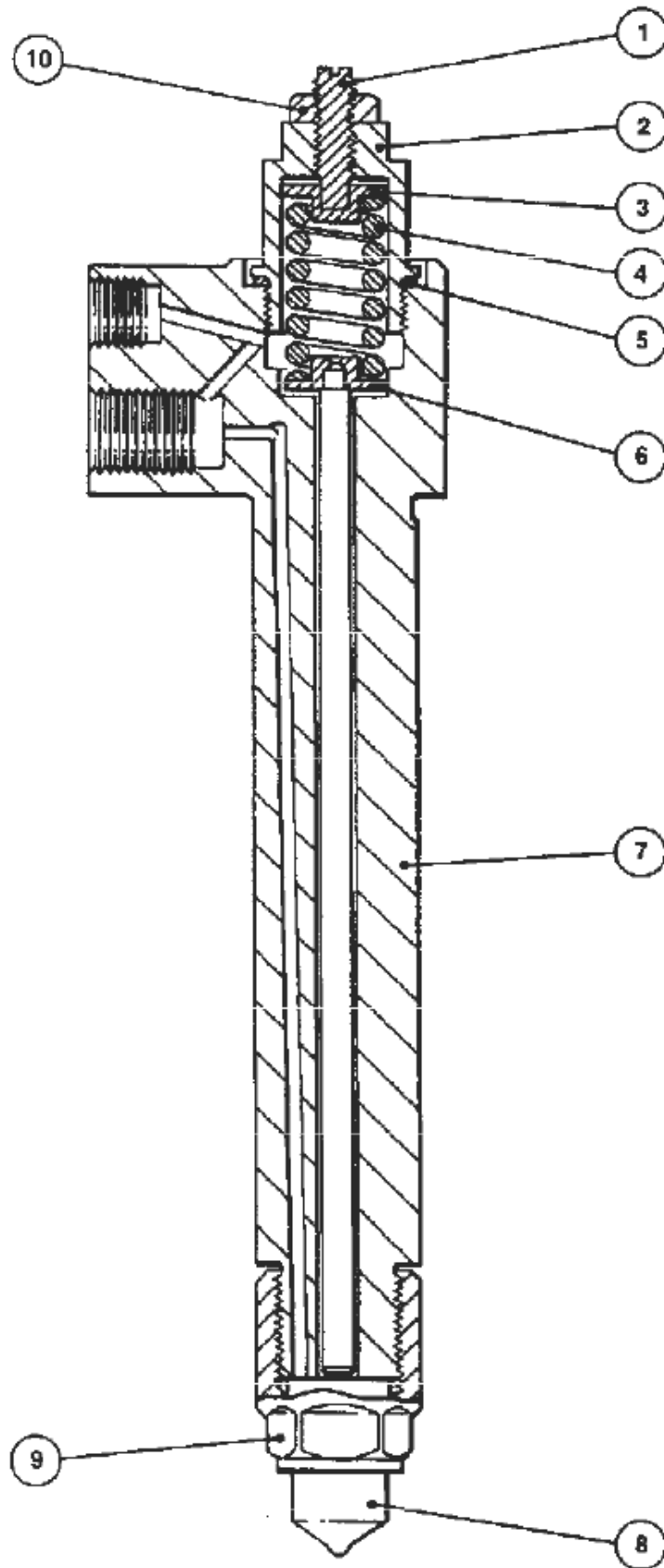
99/262 Injector

99/316 Injector for Wärtsilä LDA28A British Engine

(April 1995, Issue #2)

Item

No.	Part Name	Woodward No.	Wärtsilä No.
	Injector	99/316	
1	Screw-adjusting	7008/36B	
2	Spring housing	7024/115	
3	Spring plate-upper	7024/109A	
4	Spring-injector	7024/106	
5	Washer	5936/41	
6	Spindle assembly	7024/8M	
7	Nozzle holder body	7024/123	
8	Nozzle assembly	HL145T42H531P6	
9	Nozzle nut	7024/13	
10	Locknut-adjusting screw	NU7-20Y1	



99/316 Injector

We appreciate your comments about the content of our publications.

Send comments to: icinfo@woodward.com

Please include the manual number from the front cover of this publication.



WOODWARD

PO Box 1519, Fort Collins CO 80522-1519, USA
1000 East Drake Road, Fort Collins CO 80525, USA
Phone +1 (970) 482-5811 • Fax +1 (970) 498-3058

Email and Website—www.woodward.com

**Woodward has company-owned plants, subsidiaries, and branches,
as well as authorized distributors and other authorized service and sales facilities throughout the world.**

Complete address / phone / fax / email information for all locations is available on our website.