



**Illustrated Parts Catalogue**

**Illustrated Parts Catalogue  
Woodward Diesel Systems**

**Wärtsilä (formerly SACM & Cummins Wärtsilä)  
Pumps & Injectors**

**Manual 55187**

## General

This Illustrated Parts Catalog (IPC) is designed to assist customers in identifying spare parts for the most common applications of Woodward equipment.

We recognize that there may be instances where engines of identical type have, at times, been fitted with fuel injection equipment which differs from that listed. It is important, therefore, to quote the type-code of the equipment in use when ordering replacement parts.

A number in parenthesis indicates quantity per unit of more than one.

An item number with suffix "ND" indicates item Not Drawn, and suffix "AR" indicates As Required.

Part numbers of other manufacturers are included for cross reference purposes only.

It is Woodward policy to update the information contained in this catalog periodically and to re-issue to Distributors and Operators as appropriate.

This IPC contains the spare part and sub assembly level of breakdown consistent with the overhaul and maintenance policy recommended by Woodward Diesel Systems.

If you have a need for additional or change information to be included in this IPC or for other applications to be added please contact Woodward Customer Services Department. Your requirements will be considered at the next revision point.

Woodward Diesel Systems strive to achieve the maximum accuracy of the information provided within this document, no liability can be accepted by Woodward for damage, loss or injury caused by any errors in the information within this IPC.

To guarantee the safety, performance, and reliability of the equipment, only genuine Woodward spares must be used during rework.

## References

These publications are available at [www.woodward.com/publications](http://www.woodward.com/publications):

**55142**—Diesel Engine Fuel Pump Supersession List

**55143**—Diesel Engine Fuel Pump Application List

**55151**—Fuel Injection Equipment Introductory Manual

**55152**—Practical Aspects of Fuel Injection Equipment

Woodward Governor Company reserves the right to update any portion of this publication at any time. Information provided by Woodward Governor Company is believed to be correct and reliable. However, no responsibility is assumed by Woodward Governor Company unless otherwise expressly undertaken.

© Woodward 2008  
All Rights Reserved

# Contents

FCCAB160B0529 Fuel Injection Pump .....	2
FCCAB200B0551 Fuel Injection Pump .....	4
FCCAB200B0619 Fuel Injection Pump .....	6
FCVAB220B0661 Fuel Injection Pump .....	8
FCVAB220B0663 Fuel Injection Pump .....	10
FCVAB220B0832 Fuel Injection Pump .....	12

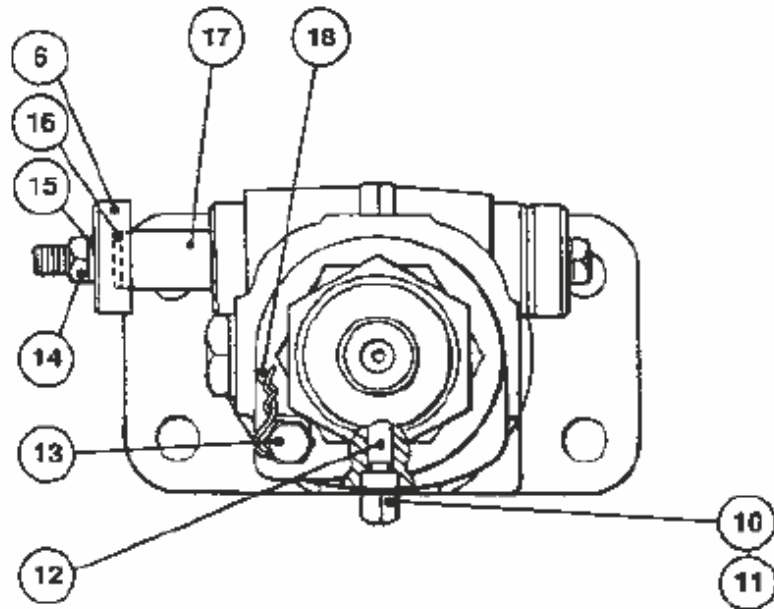
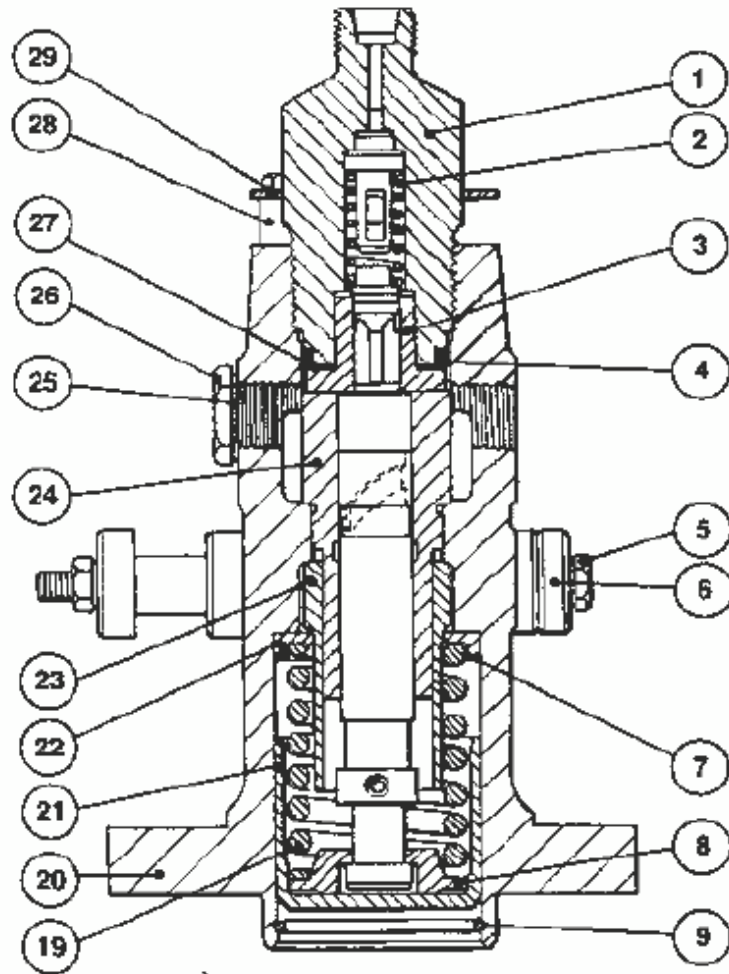
## Wärtsilä (formerly Wärtsilä/SACM & Cummins Wärtsilä)

Pump	Injector	Engine Ref.
FCCAB160B0529	—	A.G.O.'G'
FCCAB200B0551	—	UD45 RVN
FCCAB200B0619	—	UD45 RVN HP Pipe 60° Cone Fitting
FCVAB220B0661	—	UD45 RVR TYPE 5 Uprate
FCVAB220B0663	—	UD45 RVR TYPE 5 Uprate
FCVAB220B0832	—	UD45 RVR

## FCCAB160B0529 Fuel Injection Pump for Wärtsilä (SACM) A.G.O. 'G' Engine

(August 2003, Issue #3)

<b>Item No.</b>	<b>B.L. No.</b>	<b>Part Name</b>	<b>Qty</b>	<b>Woodward No.</b>
		Fuel Pump		FCCAB160B0529
1	44	Delivery valve holder		6/122
2	40	Spring delivery valve		6/121
3	36	Delivery valve & seat assembly		21/125B
4	43	Seal-O-ring		372/20
5	21	Bolt-stop cap		383/0816
6	22	Stop cap-control rod	2	6/283
7	30	Circlip-upper		25/25
8	32	Spring plate-lower		6/107
9	34	Circlip-lower		6/105
10	12	Spill plug	2	6/464
11	13	Washer-spill plug	2	113/27
12	10	Dowel-barrel locating		6/125
13	58	Bolt locking plate		25/21
14	23	Nut-stop cap		6/201
15	25	Washer-locking		282/5
16	24	Shims-stop cap	1AR	NW2/76-83
17	14	Control rod assembly		6/275
18	60	Locking wire	AR	18SWG
19	31	Spring-plunger		6/109
20	2	Pump housing		6/288
21	33	Tappet		6/106
22	29	Spring plate-upper		7022/232
23	26	Control sleeve		6/349
24	5	Element assembly		6/110A
25	50	Washer-inlet connector		NW5-50W4
26	49	Blanking plug-inlet		6/102
27	42	Seal-high pressure		6/120
28	59	Collar-locking plate		25/22
29	57	Locking plate		6/126

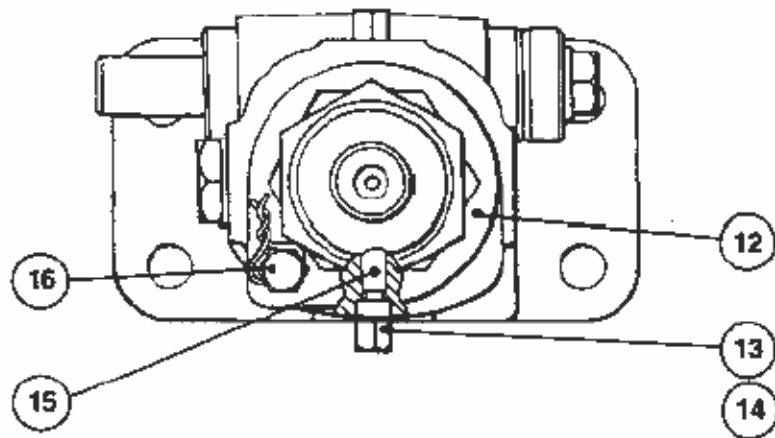
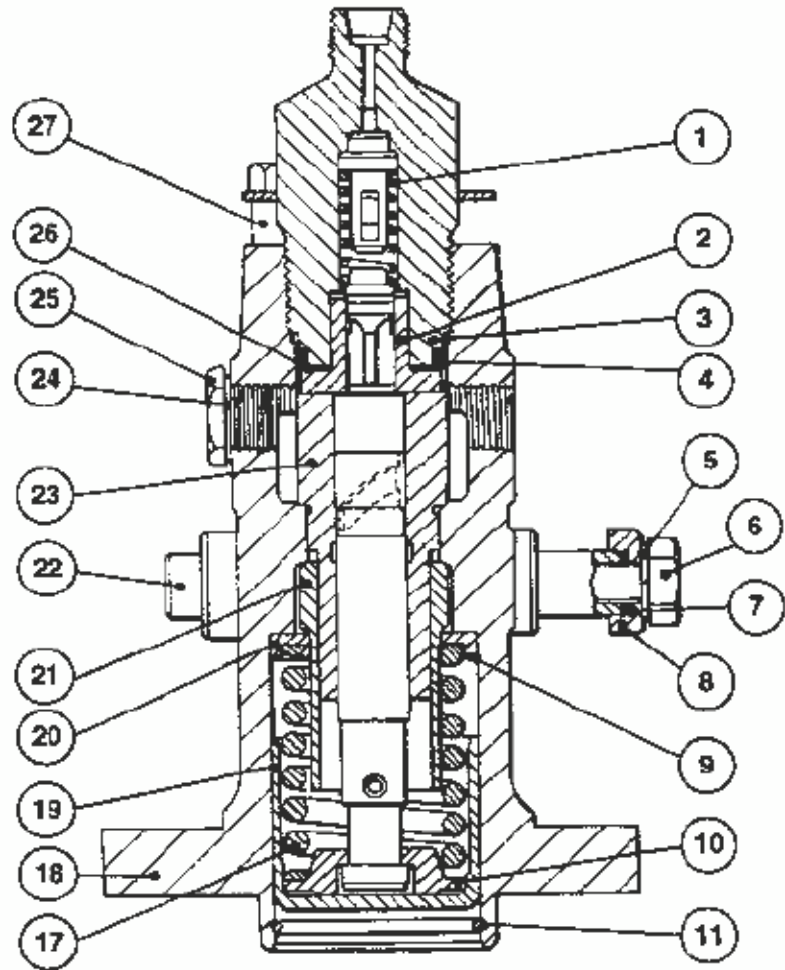


FCCAB160B0529 Fuel Injection Pump

## FCCAB200B0551 Fuel Injection Pump for Wärtsilä (SACM) UD45 RVN Engine

(April 1995, Issue #2)

Item			
No.	Part Name	Woodward No.	Wärtsilä No.
	Fuel Pump	FCCAB200B0551	DLT63614
1	Spring delivery valve	6/121	XMT580233
2	Delivery valve & seat assembly	21/125G	DLT034353
3	Delivery valve holder	6/122	DLT035733
4	Seal-O-ring	372/20	XMT580234
5	Washer-locking	282/6	
6	Bolt-stop cap	383/1022	DLT606577
7	Shims-stop cap (1AR)	6/316A/H	
8	Stop cap-control rod	6/318	DLT586642
9	Circlip-upper	25/25	XMT580227
10	Spring plate-lower	6/107	XMT580229
11	Circlip-lower	6/105	XMT580230
12	Locking plate	6/126	XMT585626
13	Spill plug (2)	6/464	
14	Washer-spill plug (2)	113/27	DLT037013
15	Dowel-barrel locating	6/125	DLT038436
16	Bolt locking plate	25/21	XMT585627
17	Spring-plunger	6/109	XMT580228
18	Pump housing	6/288	XMT585620
19	Tappet	6/289	XMT585268
20	Spring plate-upper	7022/232	XMT580226
21	Control sleeve	6/349	DLT039359
			DLT034352
22	Control rod assembly	6/319	
23	Element assembly	6/110E	DLT033719
24	Washer-inlet connector	NW5-50W4	XMT581755
25	Blanking plug-inlet	6/102	XMT585624
26	Seal-high pressure	6/120	XMT580232
27	Collar-locking plate	25/22	XMT585628



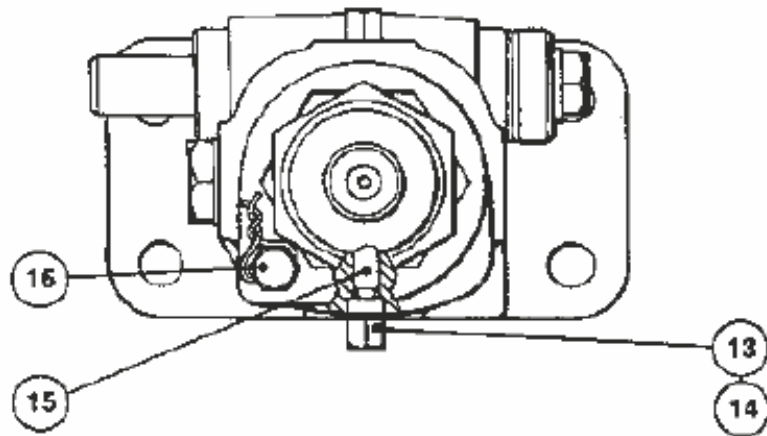
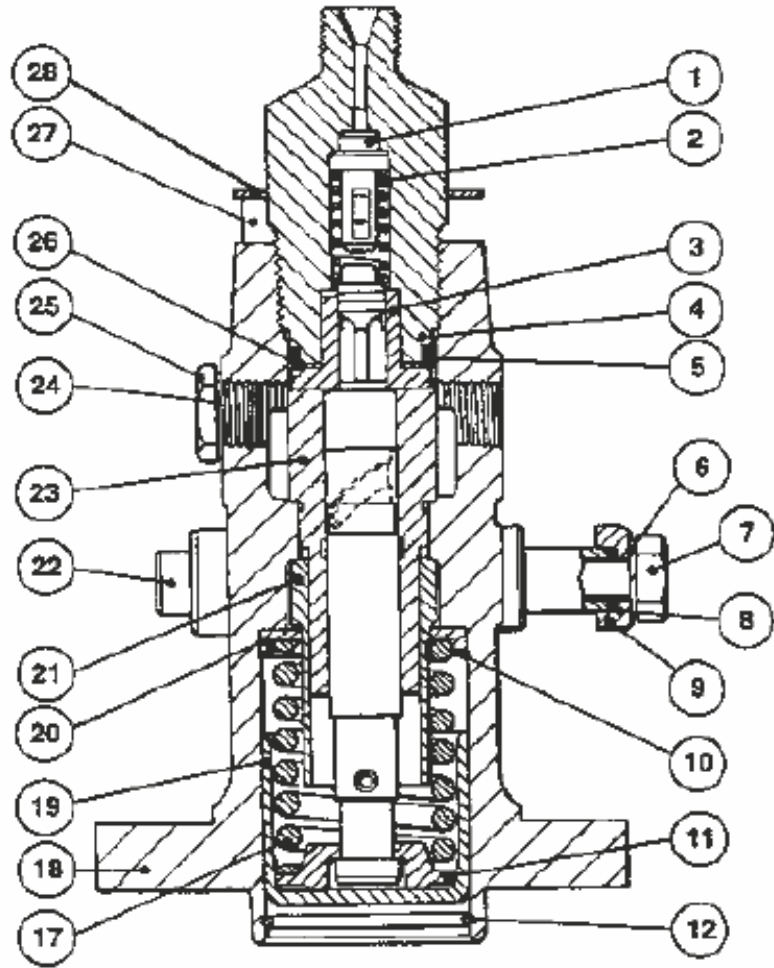
FCCAB200B0551 Fuel Injection Pump

**FCCAB200B0619 Fuel Injection Pump  
for Wärtsilä (SACM) UD45 RVN Engine  
(H.P. pipe 60 degrees cone fitting)**

(April 1995, Issue #2)

<b>Item No.</b>	<b>Part Name</b>	<b>Woodward No.</b>	<b>Wärtsilä No.</b>
	Fuel Pump	FCCAB200B0619	XMT584097
1	Spring peg	21/321B	DLT606158
2	Spring-delivery valve	6/121	XMT580233
3	Delivery valve & seat/stop assembly	21/125G	DLT034353
4	Union body	6/359	XMT585706
5	Seal-O-ring	372/20	XMT580234
6	Washer-locking	282/5	
7	Bolt-stop cap	383/1022	DLT606577
8	Shims-stop cap (1AR)	6/316A/H	
9	Stop cap-control rod	6/318	DLT6642
10	Circlip-upper	25/25	XMT580227
11	Spring plate-lower	6/107	XMT580229
12	Circlip-lower	6/105	XMT580230
13	Spill plug (2)	6/464	
14	Washer-spill plug (2)	133/27	DLT037013
15	Dowel-barrel locating	6/125	DLT038436
16	Bolt locking plate	25/21	XMT585627
17	Spring-plunger	6/109	XMT580228
18	Pump housing	6/288	XMT585620
19	Tappet	6/289	XMT585268
20	Spring plate-upper	7022/232	XMT580226
21	Control sleeve	6/349	DLT039259 DLT034352
22	Control rod assembly	6/319	
23	Element assembly	6/110E	DLT033719
24	Washer-inlet connector	NW5-50W4	XMT581755
25	Blanking plug-inlet	6/102	XMT585624
26	Seal-high pressure	6/120	XMT580232
27	Collar-locking plate	25/22	XMT585628
28	Locking plate	6/126	XMT585626

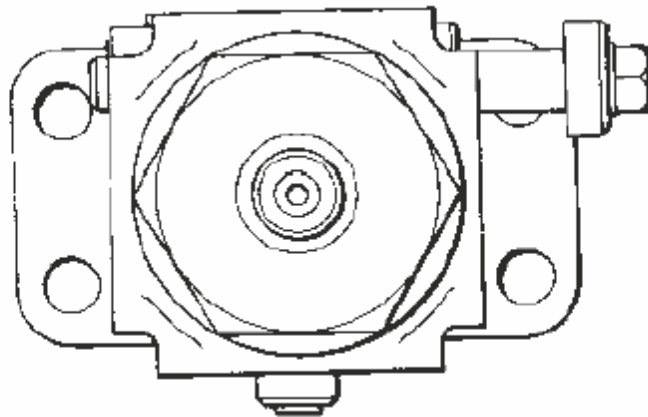
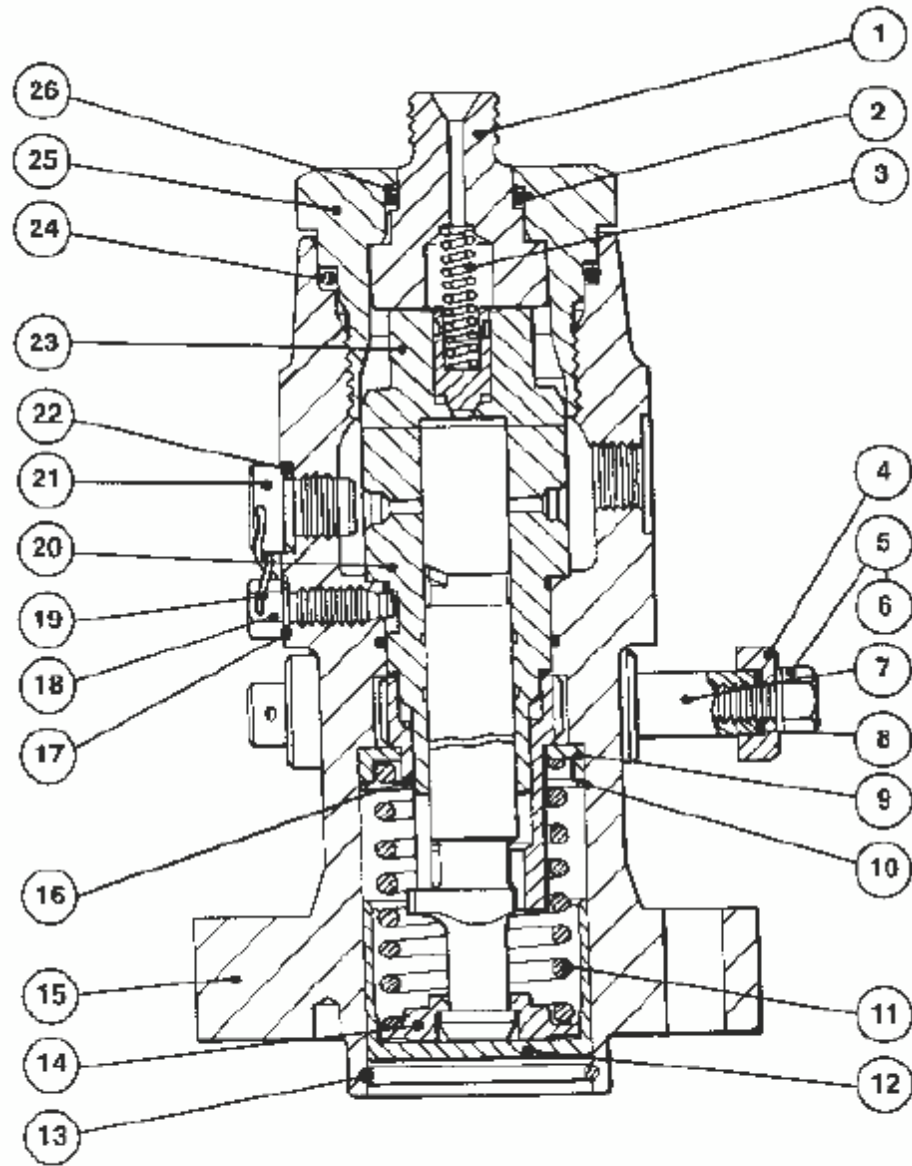




FCCAB200B0619 Fuel Injection Pump

**FCVAB220B0661 Fuel Injection Pump  
for Wärtsilä (SACM) UD45 RVR Type 5 Uprate Engine**  
(January 1997, Issue #3)

<b>Item No.</b>	<b>Part Name</b>	<b>Woodward No.</b>	<b>Wärtsilä No.</b>
	Fuel Pump	FCVAB220B0661	DLT587197
1	Delivery valve holder	36/37	DLT586654
2	Seal-O-ring	372/15	DLT586653
3	Spring-delivery valve	36/34	DLT606574
4	Stop cap-control rod	6/318	DLT586642
5	Bolt-stop cap	383/1020	DLT606580
6	Washer-locking	282/6	
7	Control rod assembly	36/68	DLT606579
8	Shims-stop cap (1AR)	6/316A/H	
9	Spring plate-upper	7022/232	XMT580226
10	Circlip-upper	25/25	XMT580227
11	Spring-plunger	36/31	DLT606570
12	Tappet	6/289	XMT585268
13	Circlip-lower	6/105	XMT580230
14	Spring plate-lower	6/107	XMT580229
15	Pump housing	36/61	
16	Control sleeve	36/53	DLT606569
17	Washer-locating screw	NW5/22	DLT589755
18	Screw-barrel locating	36/27	DLT606508
19	Locking wire (AR)	18SWG	
20	Element assembly L.H.	36/62F	DLT589753
21	Spill plug	21/201	DLT606530
22	Washer-spill plug	113/62	
23	Delivery valve & seat assembly	36/54G	DLT586651
24	Seal-O-ring	372/36	DLT586652
25	Retaining nut	36/56	DLT606573
26	Washer-O-ring	106/116	DLT6206575

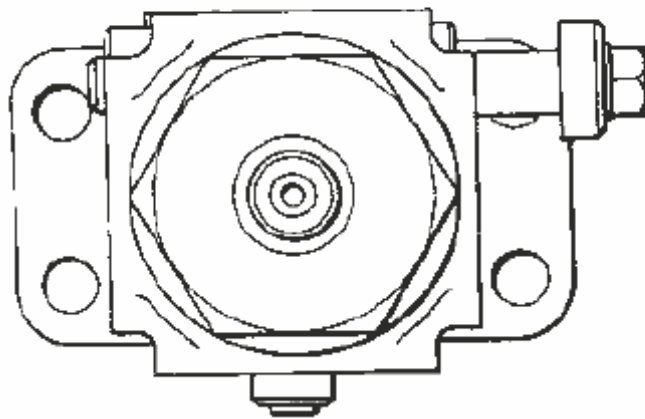
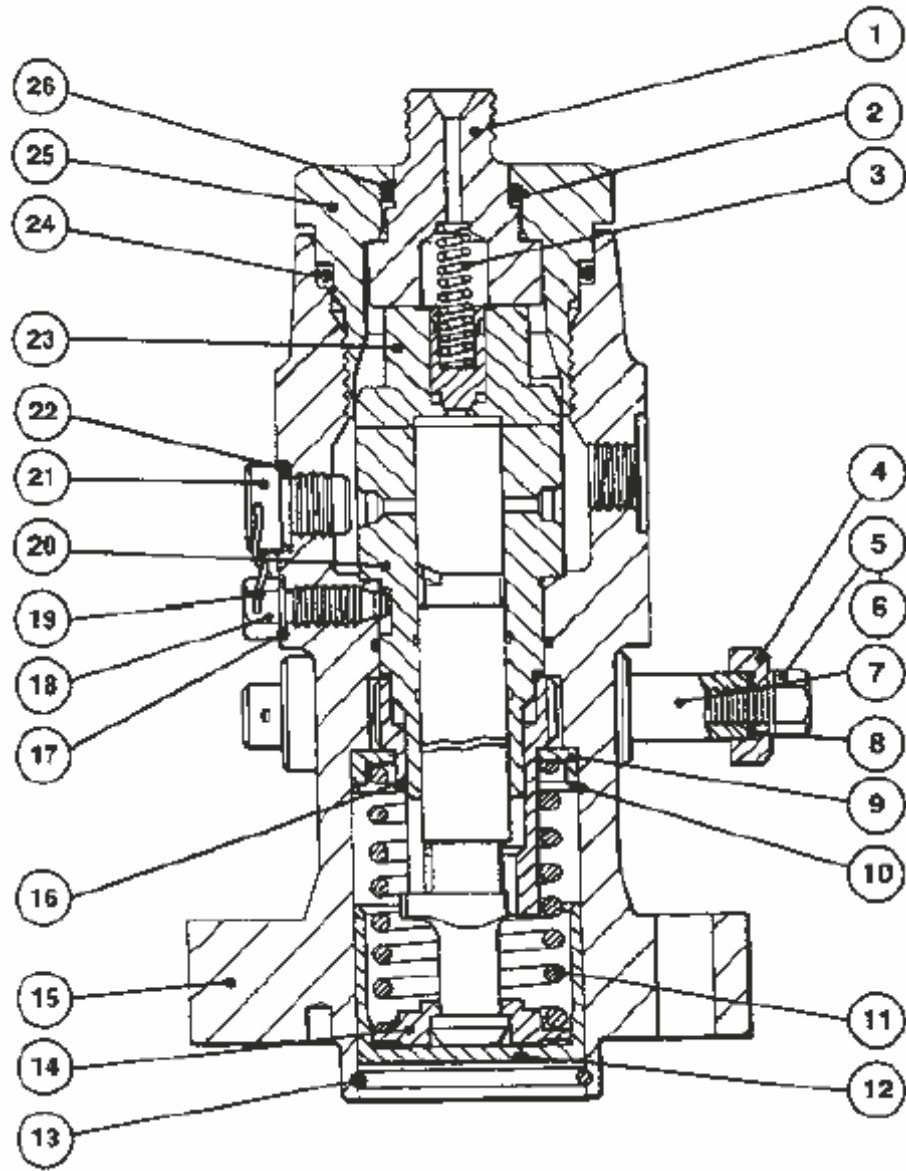


FCVAB220B0661 Fuel Injection Pump

## FCVAB220B0663 Fuel Injection Pump for Wärtsilä (SACM) UD45 RVR Type 5 Uprate Engine

(April 1995, Issue #2)

Item			
No.	Part Name	Woodward No.	Wärtsilä No.
	Fuel Pump	FCVAB220B0663	
1	Delivery valve holder	36/37	DLT586654
2	Seal-O-ring	372/15	DLT586653
3	Spring-delivery valve	36/34	DLT606574
4	Stop cap-control rod	6/318	DLT586642
5	Bolt-stop cap	383/1020	DLT606580
6	Washer-locking	282/6	
7	Control rod assembly	36/64	DLT586650
8	Shims-stop cap (1AR)	6/316A/H	
9	Spring plate-upper	7022/232	XMT580226
10	Circlip-upper	25/25	XMT580227
11	Spring-plunger	36/31	DLT606570
12	Tappet	6/289	XMT585268
13	Circlip-lower	6/105	XMT580230
14	Spring plate-lower	6/107	XMT580229
15	Pump housing	36/61	
16	Control sleeve	36/53	DLT606569
17	Washer-locating screw	NW5/22	DLT589755
18	Screw-barrel locating	36/27	DLT606508
19	Locking wire (AR)	18SWG	
20	Element assembly L.H.	36/92F	DLT606576
21	Spill plug	21/201	DLT606530
22	Washer-spill plug	113/62	
23	Delivery valve & seat assembly	36/54G	DLT586651
24	Seal-O-ring	372/36	DLT586652
25	Retaining nut	36/56	DLT606573
26	Washer-O-ring	106/116	DLT6206575



FCVAB220B0663 Fuel Injection Pump

## FCVAB220B0832 Fuel Injection Pump for Wärtsilä (SACM) UD45 RVR Engine

(June 1999, Issue #4)

Item			
No.	Part Name	Woodward No.	Wärtsilä No.
	Fuel Pump	FCVAB220B0832	
1	Delivery valve holder	36/269	
2	Seal-O-ring	372/15	DLT586653
3	Spring-delivery valve	36/34	DLT606574
4	Seal-O-ring	372/18	
5	Stop cap-control rod	6/318	DLT586642
6	Bolt-stop cap	383/1020	DLT606580
7	Washer-locking	282/6	
8	Control rod assembly	36/68	DLT606579
9	Shims-stop cap (1AR)	6/316A/H	
10	Spring plate-upper	7022/232	XMT580226
11	Circlip-upper	25/25	XMT580227
12	Spring-plunger	36/31	DLT606570
13	Tappet	6/289	XMT585268
14	Circlip-lower	6/105	XMT580230
15	Spring plate-lower	6/107	XMT580229
16	Pump housing	36/231	
17	Control sleeve	36/53	DLT606569
18	Washer-locating screw	NW5/22	DLT589755
19	Screw-barrel locating	36/27	DLT606508
20	Locking wire (AR)	18SWG	
21	Element assembly	36/234F	
22	Spill plug (2)	21/201	DLT606530
23	Washer-spill plug (2)	113/62	
24	Delivery valve & seat assembly	36/107D	
25	Seal-O-ring	372/36	DLT586652
26	Retaining nut	36/56	DLT606573
27	Washer-O-ring	106/116	DLT6206575



**We appreciate your comments about the content of our publications.**

**Send comments to: [icinfo@woodward.com](mailto:icinfo@woodward.com)**

**Please include the manual number from the front cover of this publication.**



PO Box 1519, Fort Collins CO 80522-1519, USA  
1000 East Drake Road, Fort Collins CO 80525, USA  
Phone +1 (970) 482-5811 • Fax +1 (970) 498-3058

**Email and Website—[www.woodward.com](http://www.woodward.com)**

**Woodward has company-owned plants, subsidiaries, and branches,  
as well as authorized distributors and other authorized service and sales facilities throughout the world.**

**Complete address / phone / fax / email information for all locations is available on our website.**