



Illustrated Parts Catalogue

**Illustrated Parts Catalogue
Woodward Diesel Systems**

**Perkins Engines (formerly Rolls-Royce)
Pumps & Injectors**

Manual 55181

General

This Illustrated Parts Catalog (IPC) is designed to assist customers in identifying spare parts for the most common applications of Woodward equipment.

We recognize that there may be instances where engines of identical type have, at times, been fitted with fuel injection equipment which differs from that listed. It is important, therefore, to quote the type-code of the equipment in use when ordering replacement parts.

A number in parenthesis indicates quantity per unit of more than one.

An item number with suffix "ND" indicates item Not Drawn, and suffix "AR" indicates As Required.

Part numbers of other manufacturers are included for cross reference purposes only.

It is Woodward policy to update the information contained in this catalog periodically and to re-issue to Distributors and Operators as appropriate.

This IPC contains the spare part and sub assembly level of breakdown consistent with the overhaul and maintenance policy recommended by Woodward Diesel Systems.

If you have a need for additional or change information to be included in this IPC or for other applications to be added please contact Woodward Customer Services Department. Your requirements will be considered at the next revision point.

Woodward Diesel Systems strive to achieve the maximum accuracy of the information provided within this document, no liability can be accepted by Woodward for damage, loss or injury caused by any errors in the information within this IPC.

To guarantee the safety, performance, and reliability of the equipment, only genuine Woodward spares must be used during rework.

References

These publications are available at www.woodward.com/publications:

55142—Diesel Engine Fuel Pump Supersession List

55143—Diesel Engine Fuel Pump Application List

55151—Fuel Injection Equipment Introductory Manual

55152—Practical Aspects of Fuel Injection Equipment

Woodward Governor Company reserves the right to update any portion of this publication at any time. Information provided by Woodward Governor Company is believed to be correct and reliable. However, no responsibility is assumed by Woodward Governor Company unless otherwise expressly undertaken.

© Woodward 2008
All Rights Reserved

Contents

99/259 Injector.....	2
99/269 Injector.....	4
99/289 Injector.....	6
99/330 Injector.....	8
99/331 Injector.....	10
99/494 Injector.....	12

Perkins Engines (formerly Rolls-Royce)

Pump	Injector	Engine Ref.
—	99/259	DV8 Mk.I
—	99/269	DV8 Mk.I
—	99/289	DV8 Mk.I 750 bhp
—	99/330	DV8 Mk.IA 750 bhp
—	99/331	DV8 Mk.IA Special
—	99/494	DV8 600G

99/259 Injector for Perkins DV8 Mk.I Engine

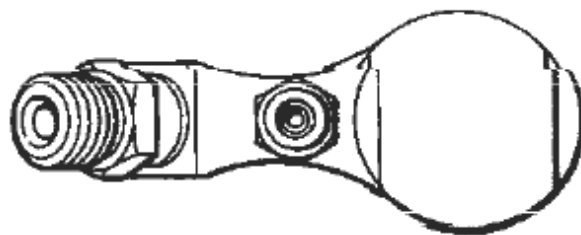
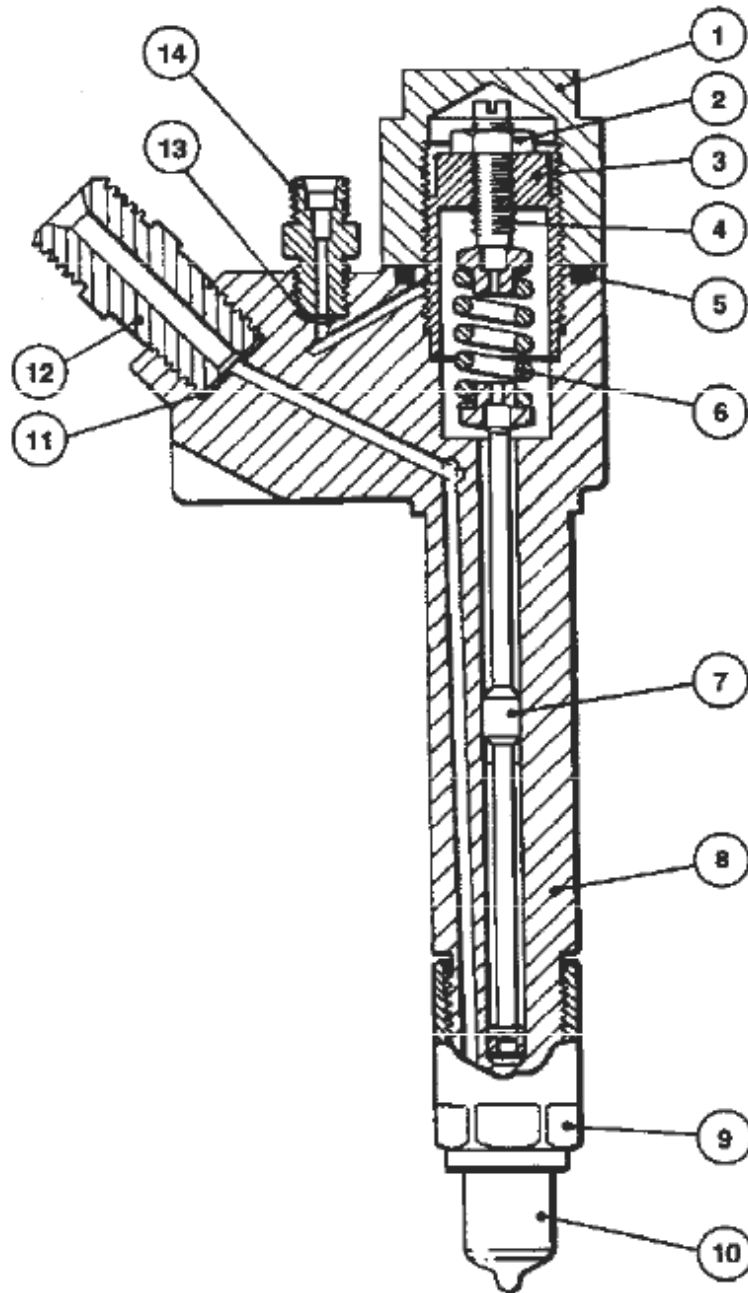
(April 1995, Issue #2)

Item No.	Part Name	Woodward No.	Perkins No.
	Injector	99/259	
1	Cap nut	7024/211	OD12557
2	Locknut-adjusting screw	NU7-20Y1	
3	Screw-adjusting	7008/36G	OD14297
4	Spring plate-upper	7024/109	OD14294
5	Seal-O-ring	5855/30CN	OD14259
6	Spring housing	7024/212	OD14256
7	Spring-injector	7024/106	OD12381
8	Nozzle holder body	7024/216	OD14293
9	Nozzle assembly	H150T45DP3	DV4759
10	Nozzle nut	7024/214	OD14257
11	Spindle assembly	7024/8S	
12	Inlet connector	7024/71A	
13	Washer-inlet connector	5936/95E	
14	Washer-leak off union	NW5/9	
15	Union-leak off	7024/210	

99/269 Injector for Perkins DV8 Mk.I Engine

(April 1995, Issue #2)

Item No.	Part Name	Woodward No.	Perkins No.
	Injector	99/269	DV5477
1	Cap nut	7024/211	OD12557
2	Locknut-adjusting screw	NU7-20Y1	
3	Spring housing	7024/212	OD14256
4	Screw-adjusting	52/295	OD15035
5	Seal-O-ring	5855/30CN	OD14259
6	Spring-injector	52/278	OD15036
7	Spindle assembly	52/296	OD15034
8	Nozzle holder body	7024/216	OD14293
9	Nozzle nut	7024/214	OD14257
10	Nozzle assembly	H150T45DP3	DV4759
11	Washer-inlet connector	5936/95E	
12	Inlet connector	7024/71A	OD14296
13	Washer-leak off union	NW5/9	
14	Union-leak off	52/310	

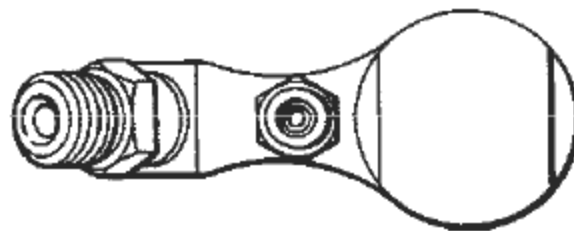
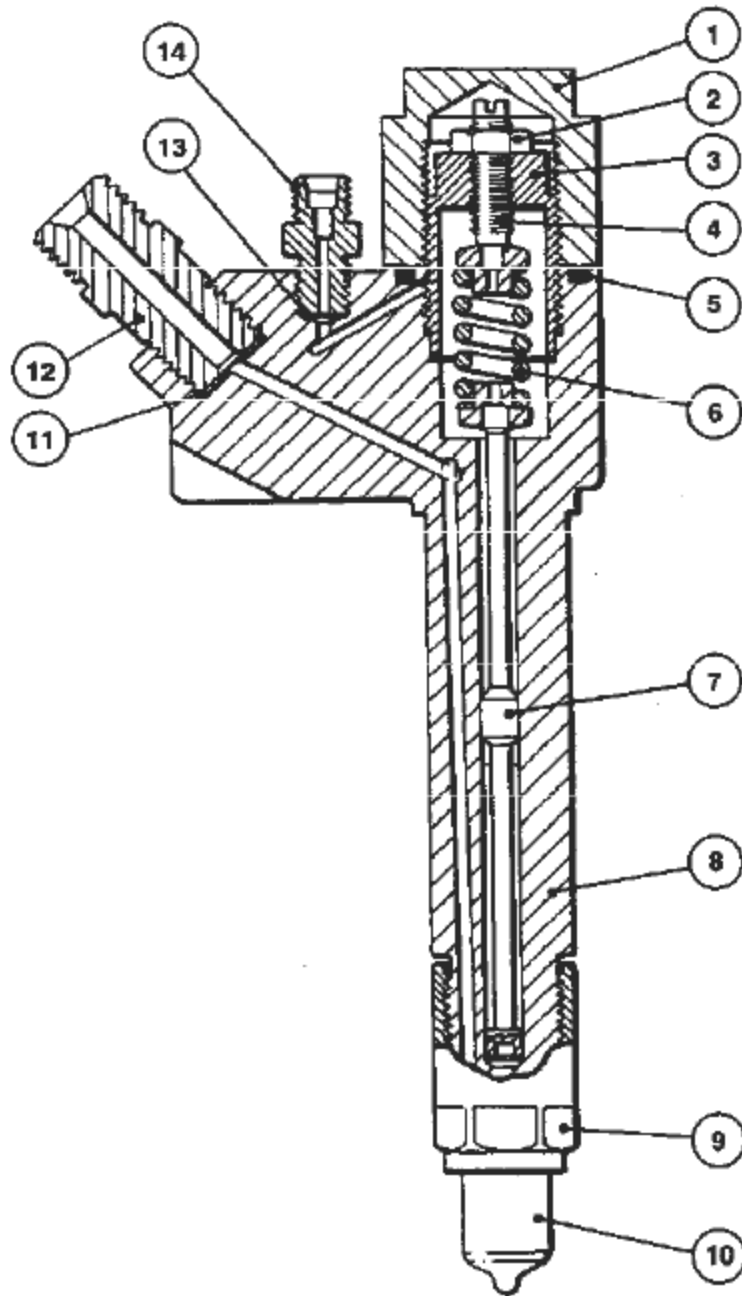


99/269 Injector

99/289 Injector for Perkins DV8 Mk.I 750 b.h.p. Engine

(April 1995, Issue #2)

Item No.	Part Name	Woodward No.	Perkins No.
	Injector	99/289	DV5541
1	Cap nut	7024/211	OD12557
2	Locknut-adjusting screw	NU7-20Y1	
3	Spring housing	7024/212	OD14256
4	Screw-adjusting	52/295	OD15035
5	Seal-O-ring	5855/30CN	OD14259
6	Spring-injector	52/278	OD15036
7	Spindle assembly	52/296	OD15034
8	Nozzle holder body	7024/216	OD14293
9	Nozzle nut	7024/214	OD14257
10	Nozzle assembly	H150T47D518P3	DV5542
11	Washer-inlet connector	5936/95E	
12	Inlet connector	7024/71A	OD14296
13	Washer-leak off union	NW5/9	
14	Union-leak off	52/310	

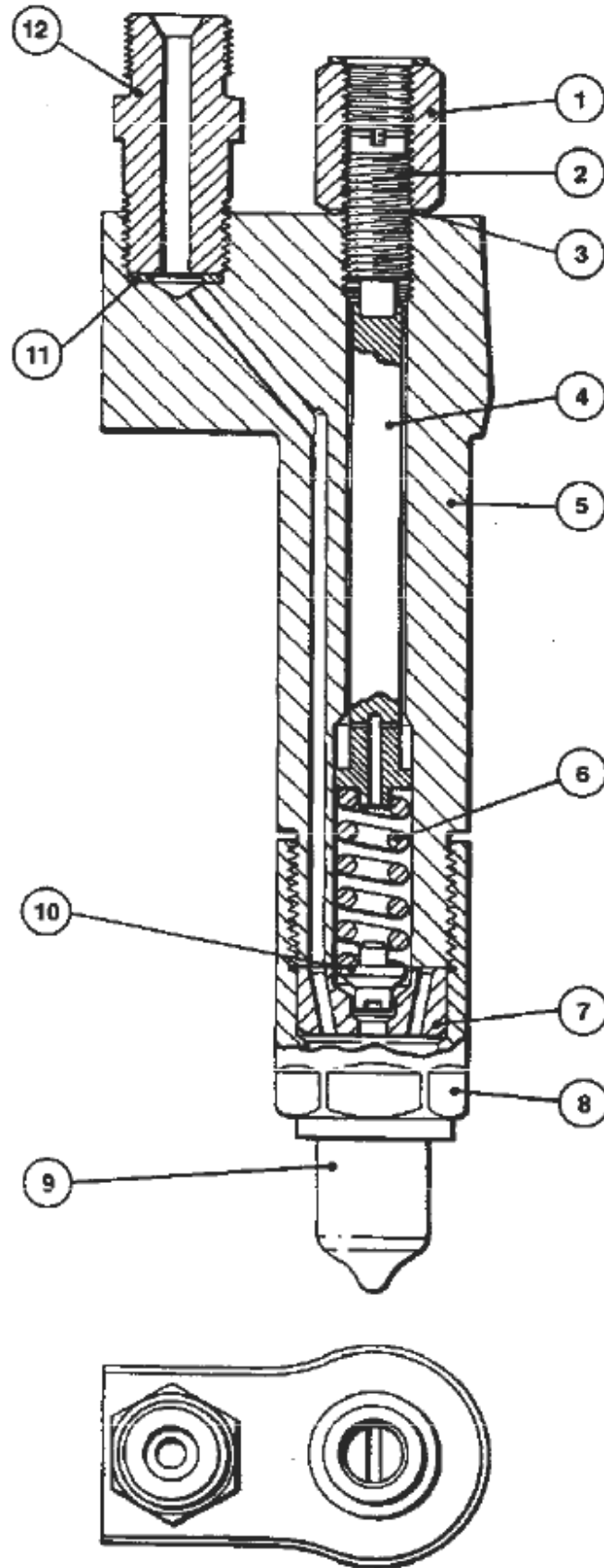


99/289 Injector

99/330 Injector for Perkins DV8 Mk.IA 750 b.h.p. Engine

(April 1995, Issue #2)

Item			
No.	Part Name	Woodward No.	Perkins No.
	Injector	99/330	DV5892
1	Locknut-adjusting screw	52/317	OD17915
2	Screw-adjusting	52/319	OD17311
3	Washer (2)	NW5-33	
4	Spindle	52/314A	OD17310
5	Nozzle holder body	52/312	
6	Spring-injector	52/329	OD17309
7	Transfer block	52/313	OD17913
8	Nozzle nut	52/318	OD17917
9	Nozzle assembly	H150T47D518P3	DV5542
10	Thrust cap-guided	52/315	OD17914
11	Washer-inlet connector	106/83	
12	Inlet connector	52/321	DV17916 OD17916 OE17916

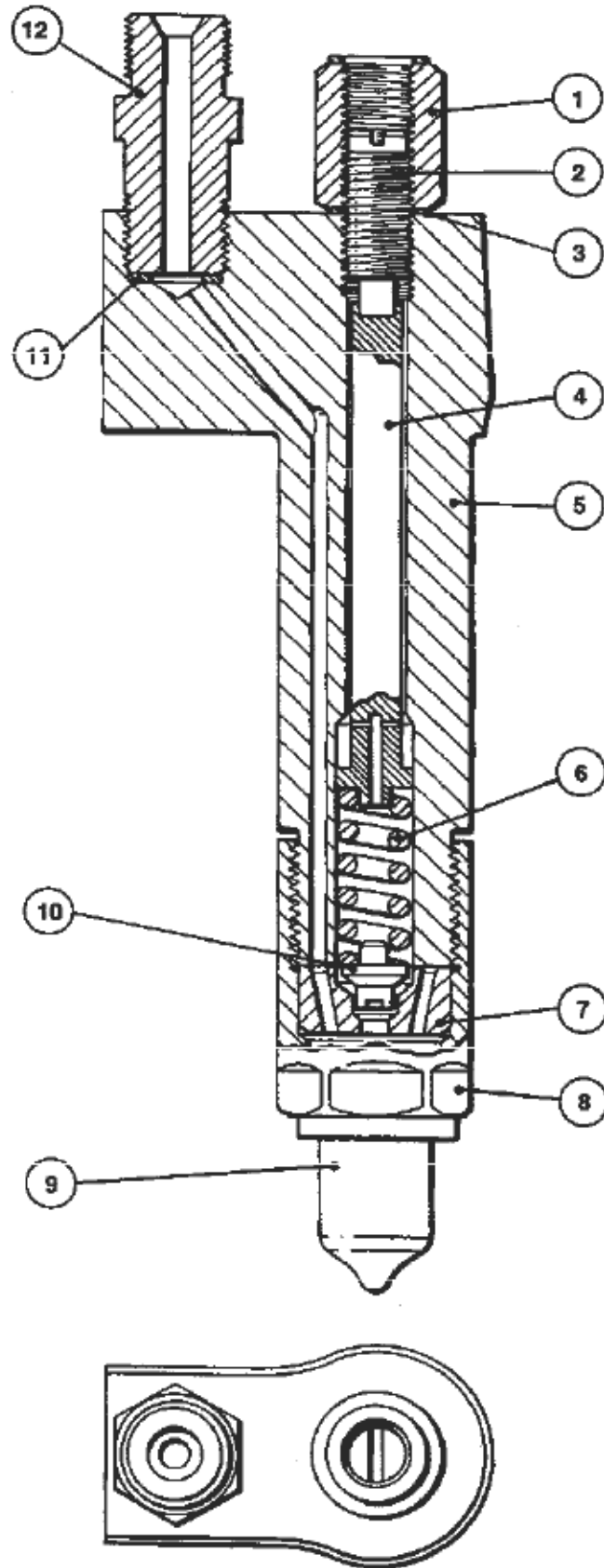


99/330 Injector

99/331 Injector for Perkins DV8 Mk.IA Special Engine

(April 1995, Issue #2)

Item			
No.	Part Name	Woodward No.	Perkins No.
	Injector	99/331	DV6256
1	Locknut-adjusting screw	52/317	OD17915
2	Screw-adjusting	52/319	OD17311
3	Washer (2)	NW5-33	
4	Spindle	52/314A	OD17310
5	Nozzle holder body	52/312	
6	Spring-injector	52/329	OD17309
7	Transfer block	52/313	OD17913
8	Nozzle nut	52/318	OD17917
9	Nozzle assembly	H150T45DP3	DV4759
10	Thrust cap-guided	52/315	OD17914
11	Washer-inlet connector	106/83	
12	Inlet connector	52/321	DV17916 OD17916 OE17916

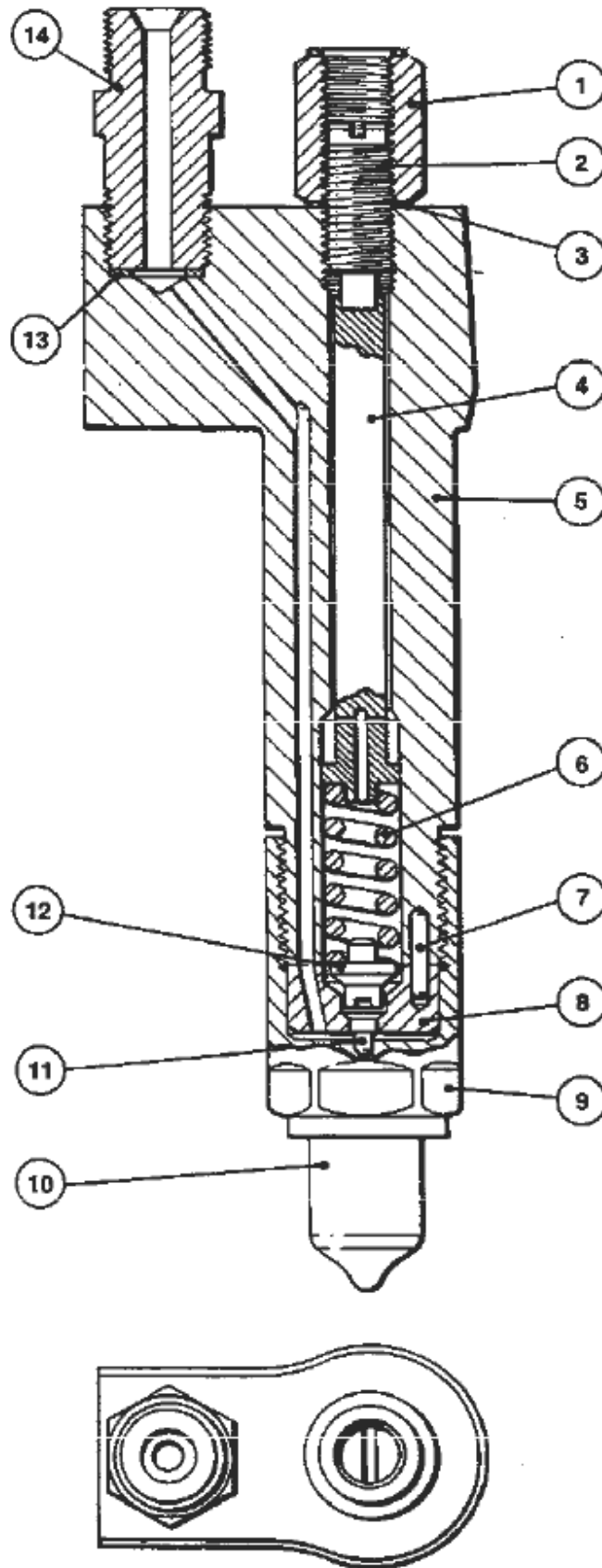


99/331 Injector

99/494 Injector for Perkins DV8 600G Engine

(April 1995, Issue #2)

Item			
No.	Part Name	Woodward No.	Perkins No.
	Injector	99/494	DV7546
1	Locknut-adjusting screw	52/317	OD17915
2	Screw-adjusting	52/319	OD17311
3	Washer (2)	NW5-33	
4	Spindle	52/314A	OD17310
5	Nozzle holder body	52/578	
6	Spring-injector	52/329	OD17309
7	Dowel (2)	52/440	
8	Transfer block	20/212	
9	Nozzle nut	52/318	OD17917
10	Nozzle assembly	H150T55D837P3	DV7578
11	Dowel (2)	51/415A	
12	Thrust cap	52/461	
13	Washer-inlet connector	106/83	
14	Inlet connector	52/321	DV17916 OD17916 OE17916



99/494 Injector

We appreciate your comments about the content of our publications.

Send comments to: icinfo@woodward.com

Please include the manual number from the front cover of this publication.



PO Box 1519, Fort Collins CO 80522-1519, USA
1000 East Drake Road, Fort Collins CO 80525, USA
Phone +1 (970) 482-5811 • Fax +1 (970) 498-3058

Email and Website—www.woodward.com

**Woodward has company-owned plants, subsidiaries, and branches,
as well as authorized distributors and other authorized service and sales facilities throughout the world.**

Complete address / phone / fax / email information for all locations is available on our website.