



Illustrated Parts Catalogue

**Illustrated Parts Catalogue
Woodward Diesel Systems**

**GE Transportation Systems
Pumps & Injectors**

Manual 55174

General

This Illustrated Parts Catalog (IPC) is designed to assist customers in identifying spare parts for the most common applications of Woodward equipment.

We recognize that there may be instances where engines of identical type have, at times, been fitted with fuel injection equipment which differs from that listed. It is important, therefore, to quote the type-code of the equipment in use when ordering replacement parts.

A number in parenthesis indicates quantity per unit of more than one.

An item number with suffix "ND" indicates item Not Drawn, and suffix "AR" indicates As Required.

Part numbers of other manufacturers are included for cross reference purposes only.

It is Woodward policy to update the information contained in this catalog periodically and to re-issue to Distributors and Operators as appropriate.

This IPC contains the spare part and sub assembly level of breakdown consistent with the overhaul and maintenance policy recommended by Woodward Diesel Systems.

If you have a need for additional or change information to be included in this IPC or for other applications to be added please contact Woodward Customer Services Department. Your requirements will be considered at the next revision point.

Woodward Diesel Systems strive to achieve the maximum accuracy of the information provided within this document, no liability can be accepted by Woodward for damage, loss or injury caused by any errors in the information within this IPC.

To guarantee the safety, performance, and reliability of the equipment, only genuine Woodward spares must be used during rework.

References

These publications are available at www.woodward.com/publications:

55142—Diesel Engine Fuel Pump Supersession List

55143—Diesel Engine Fuel Pump Application List

55151—Fuel Injection Equipment Introductory Manual

55152—Practical Aspects of Fuel Injection Equipment

Woodward Governor Company reserves the right to update any portion of this publication at any time. Information provided by Woodward Governor Company is believed to be correct and reliable. However, no responsibility is assumed by Woodward Governor Company unless otherwise expressly undertaken.

© Woodward 2008
All Rights Reserved

Contents

FCVAB180B0838 Fuel Injection Pump	2
FCVAB180B0887 Fuel Injection Pump	4
ECVAB220D0910 Fuel Injection Pump.....	6
99/469 Injector.....	8
99/553 Injector.....	10
99/556 Injector.....	12

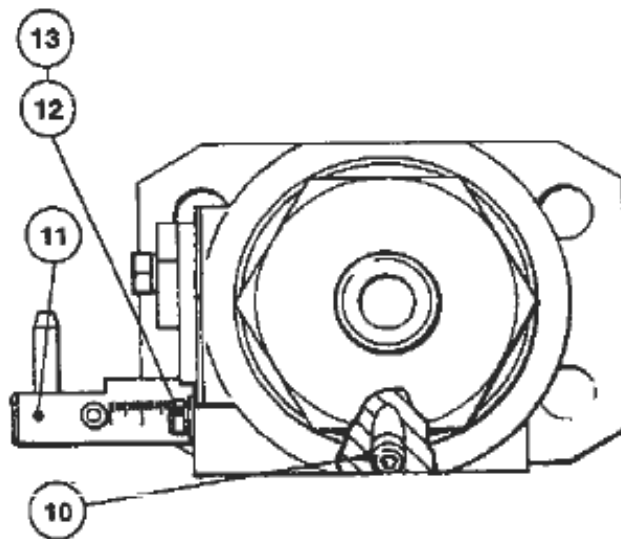
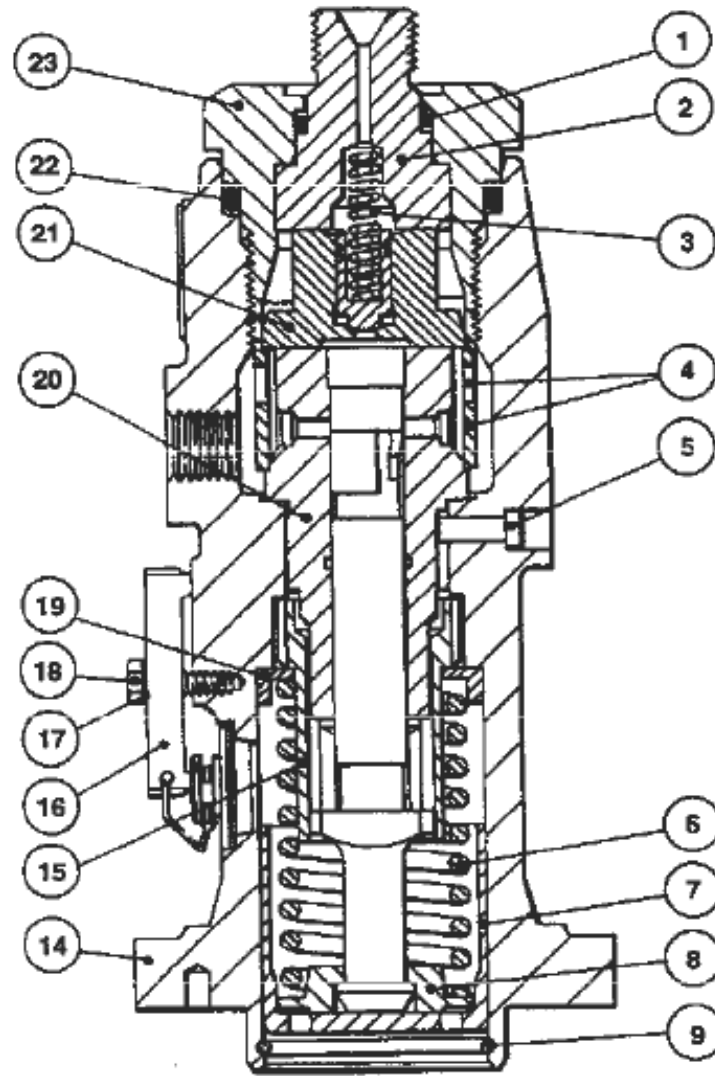
GE Transportation Systems (formerly General Electric)

Pump	Injector	Engine Ref.
FCVAB180B0838	99/469	7FDL Uprated Light Fuel
FCVAB180B0887	99/469	7FDL Uprated Light Fuel
ECVAB220D0910	99/553	7FDL
ECVAB220D0910	99/556	7FDL

FCVAB180B0838 Fuel Injection Pump for GE 7FDL (uprated light fuel) Engine

(May 2000, Issue #7)

Item No.	Part Name	Woodward No.	GE No.
	Fuel Pump	FCVAB180B0838	
1	Seal-O-ring	372/15	132X1662
2	Delivery valve holder	36/159	
3	Spring delivery valve	36/34	
4	Spill baffle	36/153	
5	Dowel-barrel locating	6/125	
6	Spring plunger	36/157	132X1675
7	Tappet	36/158	132X1677
8	Spring plate-lower	6/107	
9	Circlip-lower	6/105	132X1679
10	Screw-locking	373/2	132X1686
11	Control rod assembly	36/144	
12	Shims (AR)	106/1A-G	132X1692
13	Screw-calibration	381/508	132X1667-1
14	Pump housing	36/163	
15	Control sleeve	36/167	
16	Cover plate-arm assembly	36/147	132X1683
17	Washer	106/70	
18	Screw arm	257/407	
19	Spring plate-upper	7022/232	
20	Element assembly	36/165C	
21	Delivery valve & seat assembly	36/154JA	132X1679
22	Seal-O-ring	372/36	132X1661
23	Retaining nut	36/56	

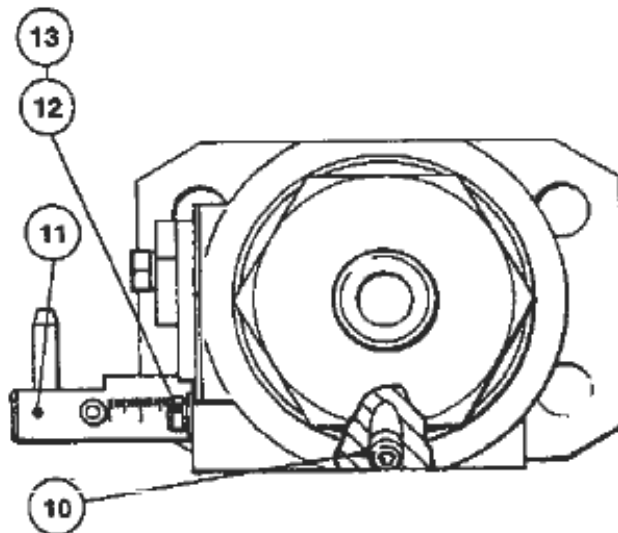
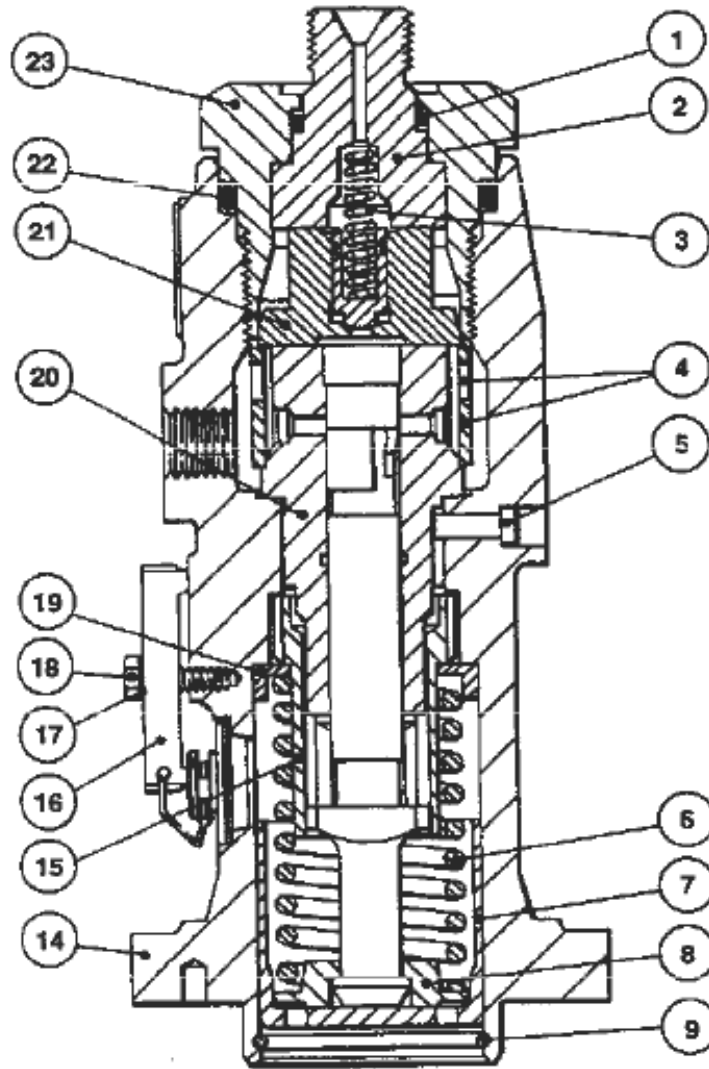


FCVAB180B0838 Fuel Injection Pump

FCVAB180B0887 Fuel Injection Pump for GE 7FDL (uprated light fuel) Engine

(May 2000, Issue #7)

Item No.	Part Name	Woodward No.	GE No.
	Fuel Pump	FCVAB180B0887	
1	Seal-O-ring	372/15	132X1662
2	Delivery valve holder	36/159	
3	Spring delivery valve	36/34	
4	Spill baffle	36/153	
5	Dowel-barrel locating	6/125	
6	Spring plunger	36/157	132X1675
7	Tappet	36/158	132X1677
8	Spring plate-lower	6/107	
9	Circlip-lower	6/105	132X1679
10	Screw-locking	373/2	132X1686
11	Control rod assembly	36/144	
12	Shims (AR)	106/1A-G	132X1692
13	Screw-calibration	381/508	132X1667-1
14	Pump housing	36/163	
15	Control sleeve	36/167	
16	Cover plate-arm assembly	36/147	132X1683
17	Washer	106/70	
18	Screw arm	257/407	
19	Spring plate-upper	7022/232	
20	Element assembly	36/221C	
21	Delivery valve & seat assembly	36/154JA	132X1679
22	Seal-O-ring	372/36	132X1661
23	Retaining nut	36/56	

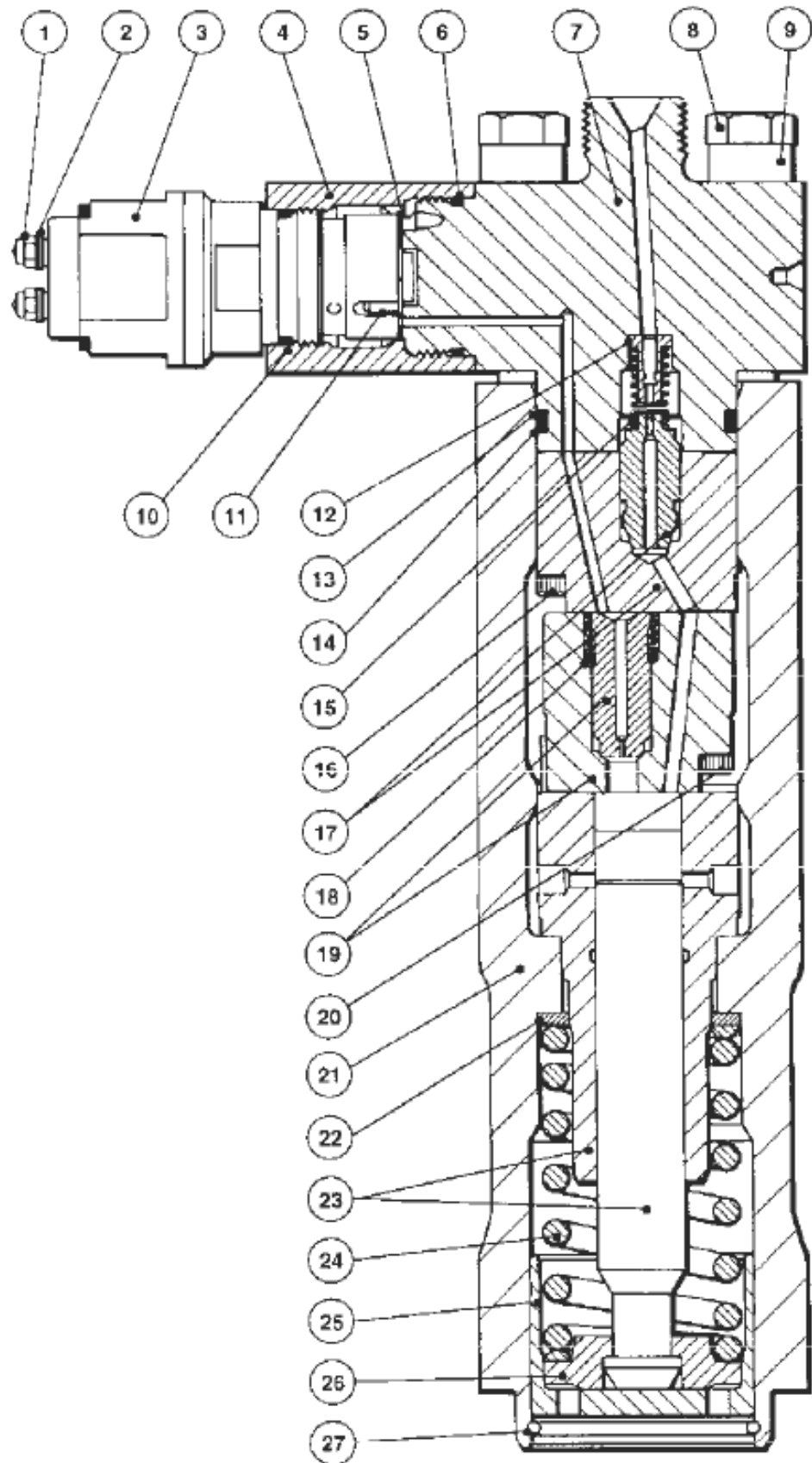


FCVAB180B0887 Fuel Injection Pump

ECVAB220D0910 Fuel Injection Pump for GE 7FDL Engine

(September 1997, Issue #4)

Item			
No.	Part Name	Woodward No.	GE No.
	Pump	ECVAB220D0910	
1	Nut-stiff (2)	7200/008A	
2	Washer-plain (2)	7200/007A	
3	Solenoid/valve assembly	7204/182	
4	Sleeve	36/264	
5	Sealing washer	7204/094G	
6	Seal-O-ring	7200/018	
7	Delivery valve holder	36/261	
8	Hexagonal head bolt (4)	36/263	
9	Spacer (4)	36/280	
10	Seal-O-ring	372/84	
11	Spring pin	7204/071	
12	Spring peg	36/262	
13	Backing ring	419/13	
14	Seal-O-ring	372/61	
15	Spring delivery valve	36/259	
16	Socket head cap screw (2)	381/0545	
17	Delivery valve assembly	36/256	
18	Spring shuttle valve	36/255	
19	Shuttle valve assembly	36/252	
20	Socket head cap screw (2)	381/0560	
21	Pump housing	36/274	
22	Spring plate-upper	36/246	
23	Element assembly	36/243 F	
24	Spring-plunger	36/247	
25	Tappet	36/249	
26	Spring plate-lower	36/248	
27	Circlip-lower	6/105	



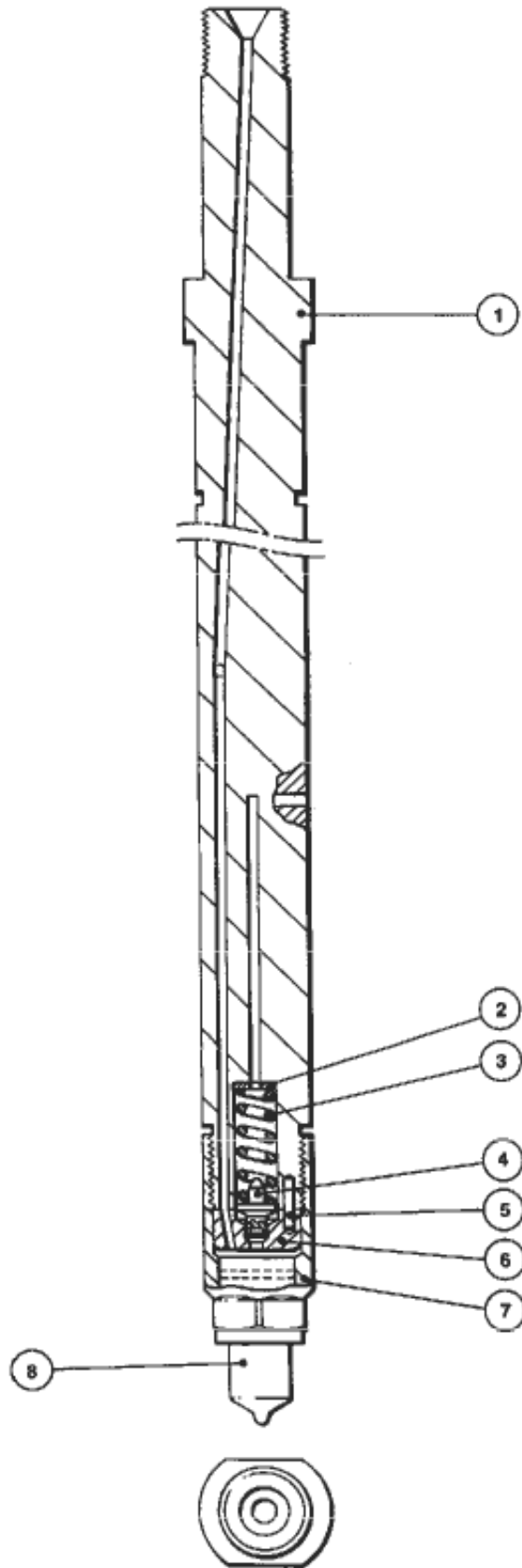
ECVAB220D0910 Fuel Injection Pump

99/469 Injector for GE 7FDL (uprated light fuel) Engine

(April 1995, Issue #2)

Item

No.	Part Name	Woodward No.	GE No.
	Injector	99/469	
1	Nozzle holder body	52/566	
2	Shims-adjusting (1AR)	7169/310CA-CP	
3	Spring-injector	52/611	
4	Thrust cap	52/461	123X1093
5	Dowel (2)	52/440	123X1091
6	Transfer block	52/567	
7	Nozzle nut	52/318	123X1097
8	Nozzle assembly	H150T40L814P4	

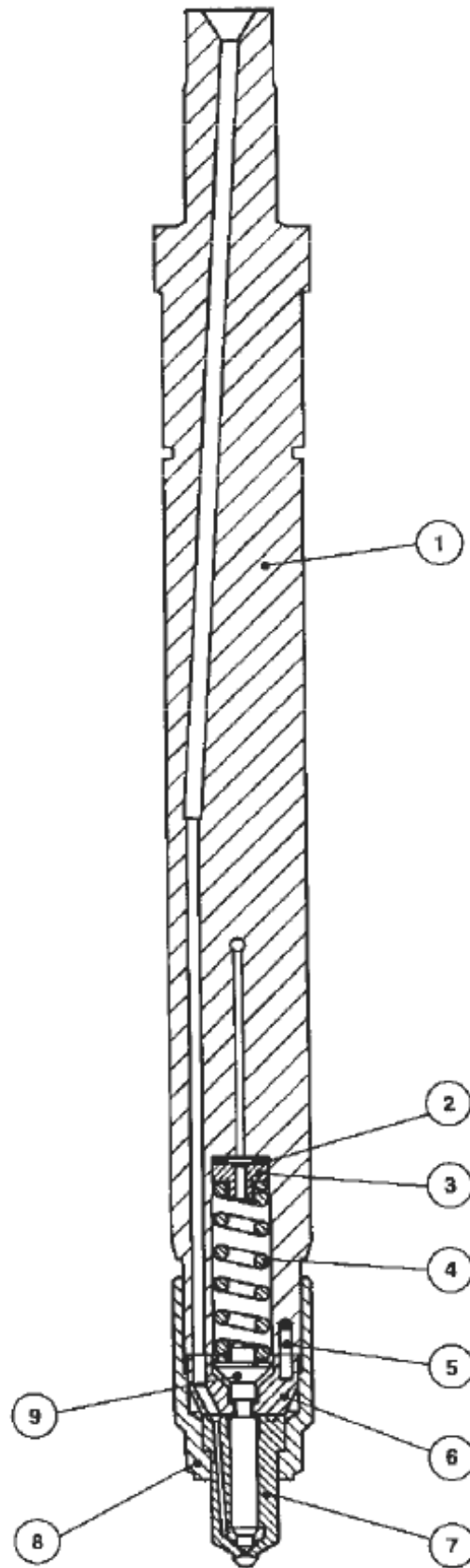


99/469 Injector

99/553 Injector for GE 7FDL Engine

(January 1997, Issue #3)

Item			
No.	Part Name	Woodward No.	GE No.
	Injector	99/553	
1	Nozzle holder body	52/612	
2	Shims (1AR)	NW2/76-80	
3	Spring plate-upper	52/615	
4	Spring-injector	52/554	
5	Dowel (2)	52/440	
6	Transfer block	52/565	
7	Nozzle assembly	H150T34L929P4	
8	Nozzle nut	52/613	
9	Thrust cap	52/562	

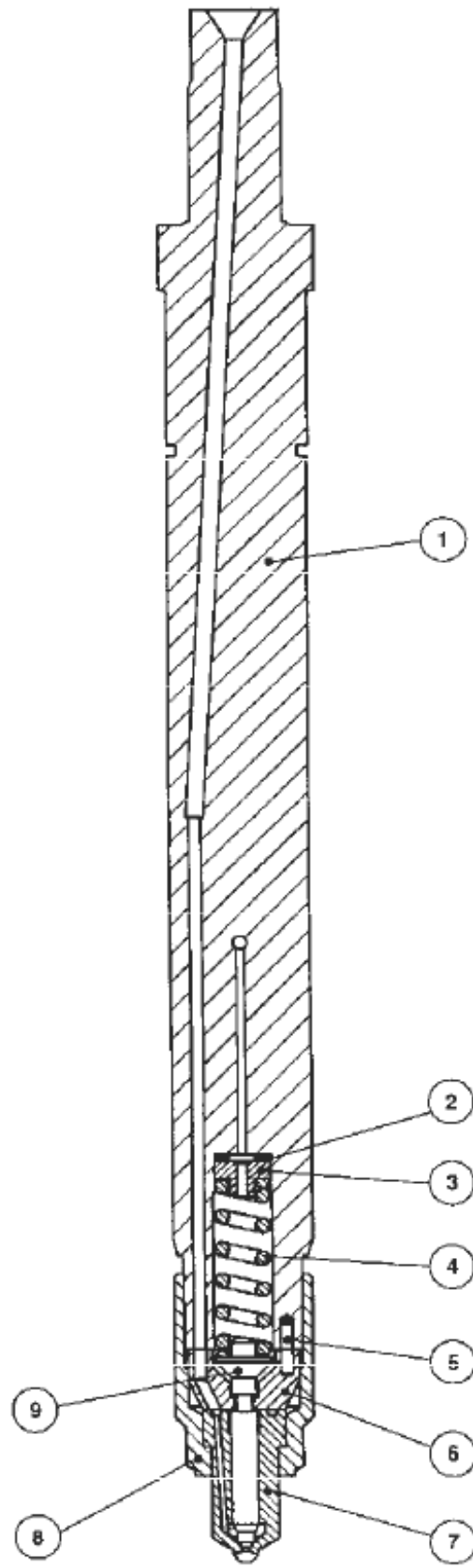


99/553 Injector

99/556 Injector for GE 7FDL Engine

(September 1997, Issue #4)

Item			
No.	Part Name	Woodward No.	GE No.
	Injector	99/556	
1	Nozzle holder body	52/612	
2	Shims (1AR)	NW2/76-80	
3	Spring plate-upper	52/615	
4	Spring-injector	52/554	
5	Dowel (4)	52/622	
6	Transfer block	52/623	
7	Nozzle assembly	H150T34L938P4	
8	Nozzle nut	52/624	
9	Thrust cap	52/562	



99/556 Injector

We appreciate your comments about the content of our publications.

Send comments to: icinfo@woodward.com

Please include the manual number from the front cover of this publication.



PO Box 1519, Fort Collins CO 80522-1519, USA
1000 East Drake Road, Fort Collins CO 80525, USA
Phone +1 (970) 482-5811 • Fax +1 (970) 498-3058

Email and Website—www.woodward.com

**Woodward has company-owned plants, subsidiaries, and branches,
as well as authorized distributors and other authorized service and sales facilities throughout the world.**

Complete address / phone / fax / email information for all locations is available on our website.