



Illustrated Parts Catalogue

**Illustrated Parts Catalogue
Woodward Diesel Systems**

**Cockerill Mechanical Industries
Pumps & Injectors**

Manual 55172

General

This Illustrated Parts Catalog (IPC) is designed to assist customers in identifying spare parts for the most common applications of Woodward equipment.

We recognize that there may be instances where engines of identical type have, at times, been fitted with fuel injection equipment which differs from that listed. It is important, therefore, to quote the type-code of the equipment in use when ordering replacement parts.

A number in parenthesis indicates quantity per unit of more than one.

An item number with suffix "ND" indicates item Not Drawn, and suffix "AR" indicates As Required.

Part numbers of other manufacturers are included for cross reference purposes only.

It is Woodward policy to update the information contained in this catalog periodically and to re-issue to Distributors and Operators as appropriate.

This IPC contains the spare part and sub assembly level of breakdown consistent with the overhaul and maintenance policy recommended by Woodward Diesel Systems.

If you have a need for additional or change information to be included in this IPC or for other applications to be added please contact Woodward Customer Services Department. Your requirements will be considered at the next revision point.

Woodward Diesel Systems strive to achieve the maximum accuracy of the information provided within this document, no liability can be accepted by Woodward for damage, loss or injury caused by any errors in the information within this IPC.

To guarantee the safety, performance, and reliability of the equipment, only genuine Woodward spares must be used during rework.

References

These publications are available at www.woodward.com/publications:

55142—Diesel Engine Fuel Pump Supersession List

55143—Diesel Engine Fuel Pump Application List

55151—Fuel Injection Equipment Introductory Manual

55152—Practical Aspects of Fuel Injection Equipment

Woodward Governor Company reserves the right to update any portion of this publication at any time. Information provided by Woodward Governor Company is believed to be correct and reliable. However, no responsibility is assumed by Woodward Governor Company unless otherwise expressly undertaken.

© Woodward 2008
All Rights Reserved

Contents

FCCAB200B0443 Fuel Injection Pump	2
FCCAB200B0511 Fuel Injection Pump	4
FCCAB200B0637 Fuel Injection Pump	6
99/418 Injector	8
99/427 Injector	10
99/453 Injector	12

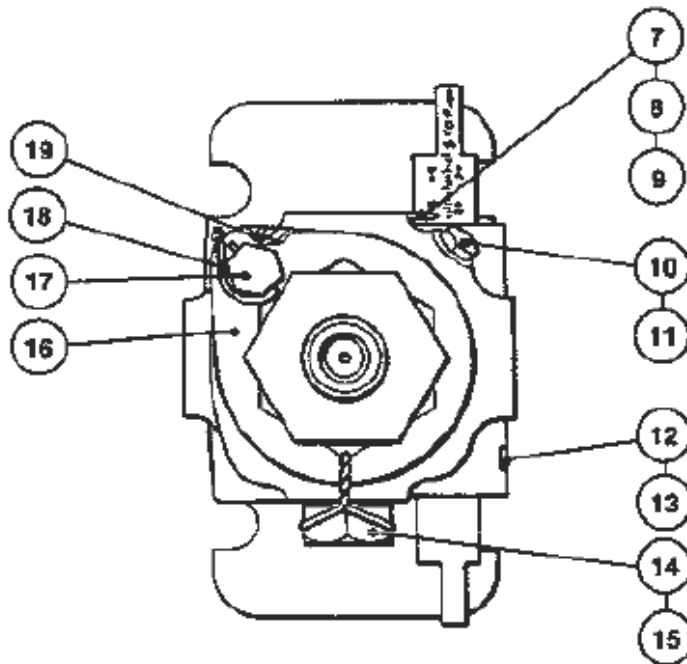
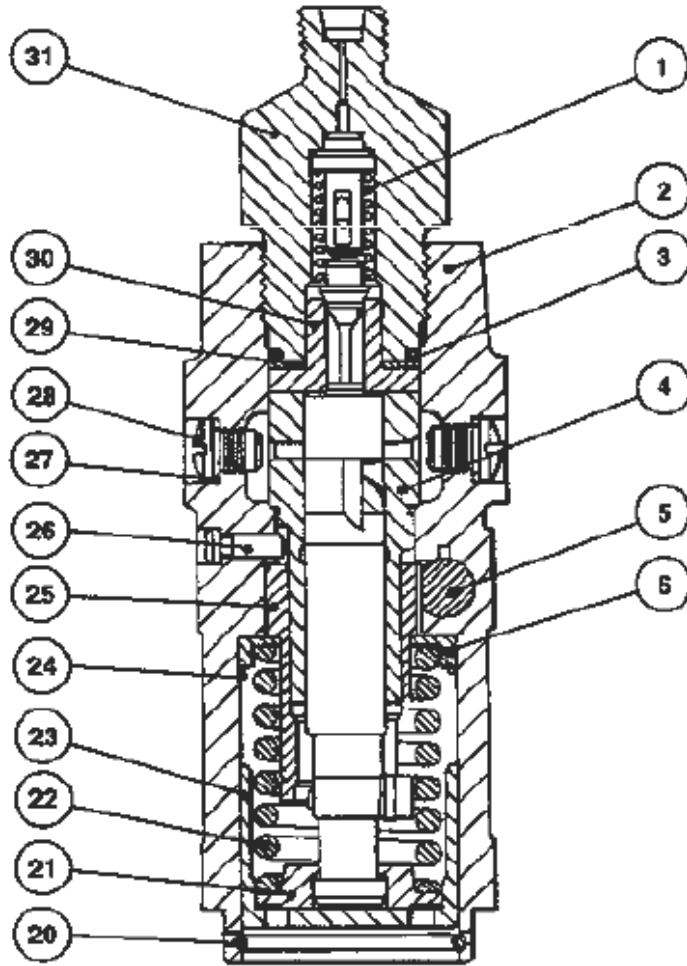
Cockerill Mechanical Industries

Pump	Injector	Engine Ref.
FCCAB200B0443	99/453	G-TR240C-0
FCCAB200B0511	99/427	T240C-0 Uprate
FCCAB200B0511	99/418	T240C-0, TR240C-0
FCCAB200B0637	99/427	T240C-0, TR240C-0

FCCAB200B0443 Fuel Injection Pump for Cockerill G-TR240C-0 Engine

(April 1995, Issue #2)

Item			
No.	Part Name	Woodward No.	Cockerill No.
	Fuel Pump	FCCAB200B0443	8056/693- CAT123069-1
1	Spring delivery valve	6/121	123375MA
2	Pump housing	6/186	
3	Seal-O-ring	359/139	
4	Element assembly L.H.	6/110E	
5	Control rod assembly	6/136	123511MA
6	Spring plate-upper	7022/232	124718MA
7	Pointer-control rod	3/2	
8	Screw-pointer	297/203	
9	Shims-pointer (1AR)	106/1A-E	
10	Screw-vent	3/262	
11	Washer-vent screw	113/75	
12	Screw-control rod locating (2)	25/17	123976MA
13	Lead seal (2)	2/2	
14	Blanking plug-inlet	6/102	
15	Washer-inlet connector	NW5/50W4	
16	Locking plate	6/126	
17	Bolt-locking plate	25/21	
18	Locking wire	18SWG	
19	Collar-locking plate	25/22	
20	Circlip-lower	6/105	123517MA
21	Spring plate-lower	6/107	
22	Spring-plunger	6/109	124717MA
23	Tappet	6/106	123516MA
24	Circlip-upper	25/25	123515MA
25	Control sleeve	6/113	
26	Dowel-barrel locating	6/125	123510MA
27	Washer-spill plug (2)	113/27	123520MA
28	Spill plug (2)	122/4	
29	Seal-high pressure	6/120	123376MA
30	Delivery valve & seat assembly	6/129	
31	Delivery valve holder	6/122	123506MA

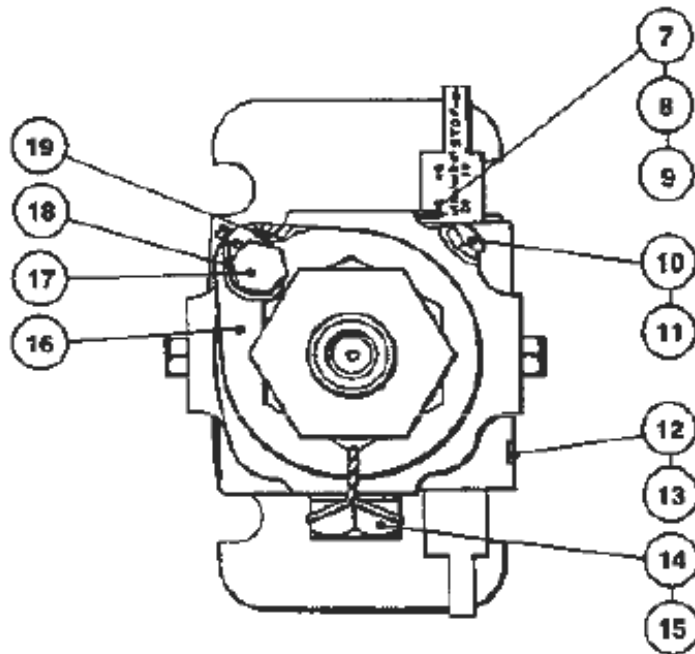
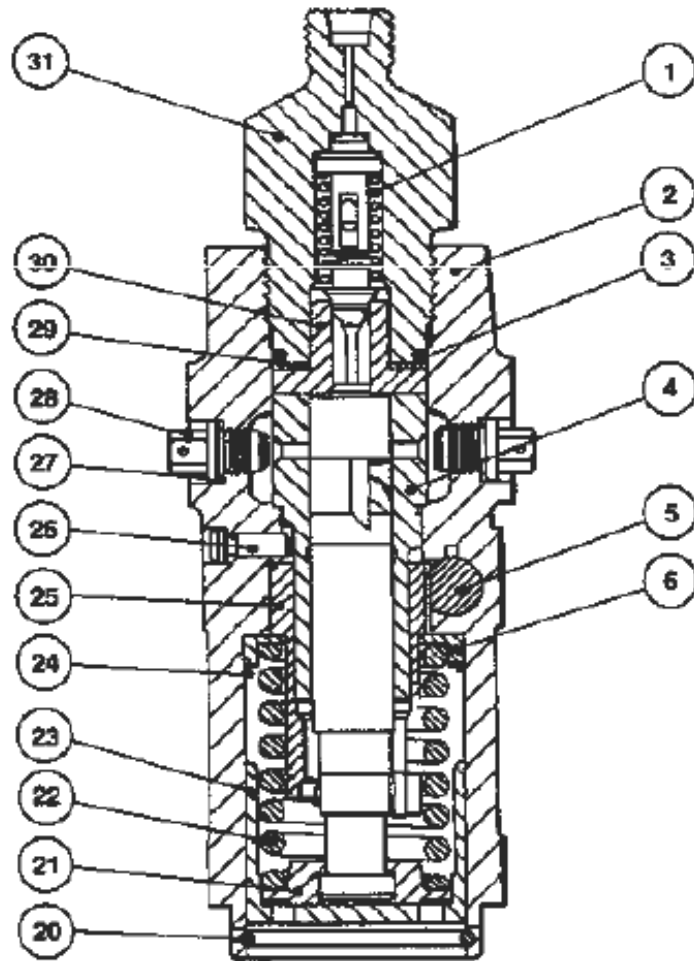


FCCAB200B0443 Fuel Injection Pump

FCCAB200B0511 Fuel Injection Pump for Cockerill T240C-0, T240C-0 (uprate) & TR240C-0 Engines

(April 1995, Issue #2)

Item			
No.	Part Name	Woodward No.	Cockerill No.
	Fuel Pump	FCCAB200B0511	4056/757- CAT124043
1	Spring delivery valve	6/121	123375MA
2	Pump housing	6/186	
3	Seal-O-ring	372/20	123377MA
4	Element assembly L.H.	6/188	123512MA
5	Control rod assembly	6/136	123511MA
6	Spring plate-upper	7022/232	124718MA
7	Pointer-control rod	3/2	
8	Screw-pointer	297/203	
9	Shims-pointer (1AR)	106/1A-E	
10	Screw-vent	3/262	
11	Washer-vent screw	113/75	
12	Screw-control rod locating (2)	25/17	123976MA
13	Lead seal (2)	2/2	
14	Blanking plug-inlet	6/102	
15	Washer-inlet connector	NW5/50W4	
16	Locking plate	6/126	
17	Bolt-locking plate	25/21	
18	Locking wire	18SWG	
19	Collar-locking plate	25/22	
20	Circlip-lower	6/105	123517MA
21	Spring plate-lower	6/107	
22	Spring-plunger	6/109	124717MA
23	Tappet	6/106	123516MA
24	Circlip-upper	25/25	123515MA
25	Control sleeve	6/349	123514MA
26	Dowel-barrel locating	6/125	123510MA
27	Washer-spill plug (2)	113/27	123520MA
28	Spill plug (2)	6/464	123519MA
29	Seal-high pressure	6/120	123376MA
30	Delivery valve & seat assembly	6/284	123374MA
31	Delivery valve holder	6/122	123506MA

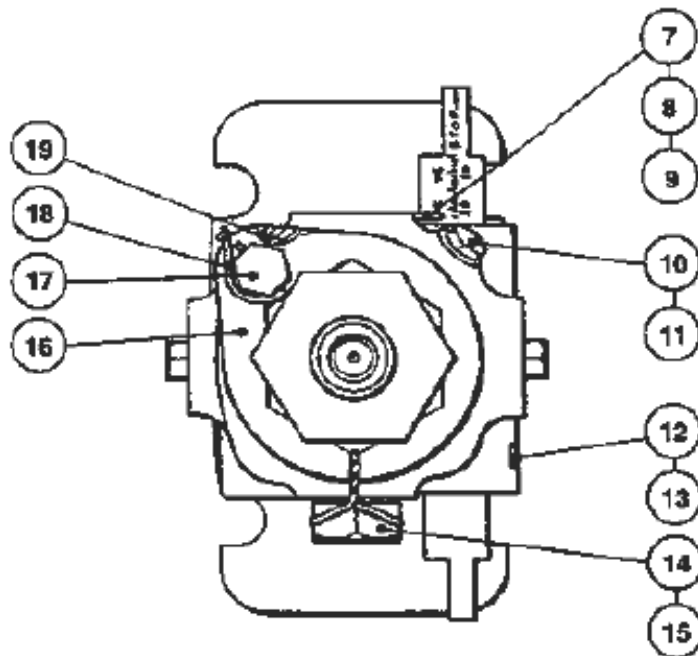
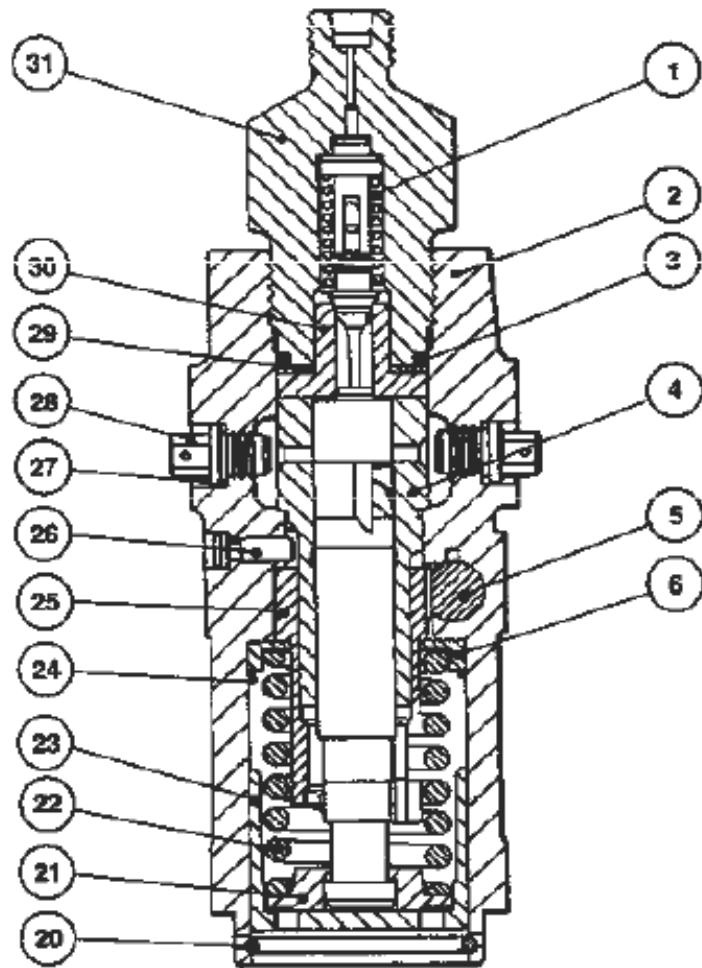


FCCAB200B0511 Fuel Injection Pump

FCCAB200B0637 Fuel Injection Pump for Cockerill T240C-0 & TR240C-0 Engines

(April 1995, Issue #2)

Item			
No.	Part Name	Woodward No.	Cockerill No.
	Fuel Pump	FCCAB200B0637	
1	Spring delivery valve	34/38	
2	Pump housing	6/186	
3	Seal-O-ring	372/20	123377MA
4	Element assembly L.H.	6/188	123512MA
5	Control rod assembly	6/136	123511MA
6	Spring plate-upper	7022/232	124718MA
7	Pointer-control rod	3/2	
8	Screw-pointer	297/203	
9	Shims-pointer (1AR)	106/1A-E	
10	Screw-vent	3/262	
11	Washer-vent screw	113/75	
12	Screw-control rod locating (2)	25/17	123976MA
13	Lead seal (2)	2/2	
14	Blanking plug-inlet	6/102	
15	Washer-inlet connector	NW5/50W4	
16	Locking plate	6/126	
17	Bolt-locking plate	25/21	
18	Locking wire	18SWG	
19	Collar-locking plate	25/22	
20	Circlip-lower	6/105	123517MA
21	Spring plate-lower	6/107	
22	Spring-plunger	6/109	124717MA
23	Tappet	6/106	123516MA
24	Circlip-upper	25/25	123515MA
25	Control sleeve	6/349A	
26	Dowel-barrel locating	6/125	123510MA
27	Washer-spill plug (2)	113/27	123520MA
28	Spill plug (2)	6/464	123519MA
29	Seal-high pressure	6/120	123376MA
30	Delivery valve & seat assembly	21/262	
31	Delivery valve holder	6/122	123506MA

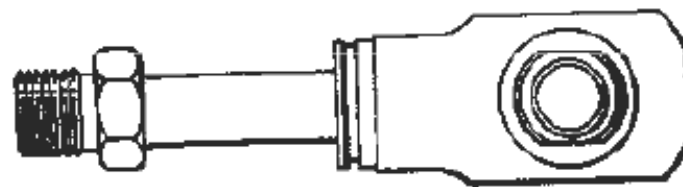
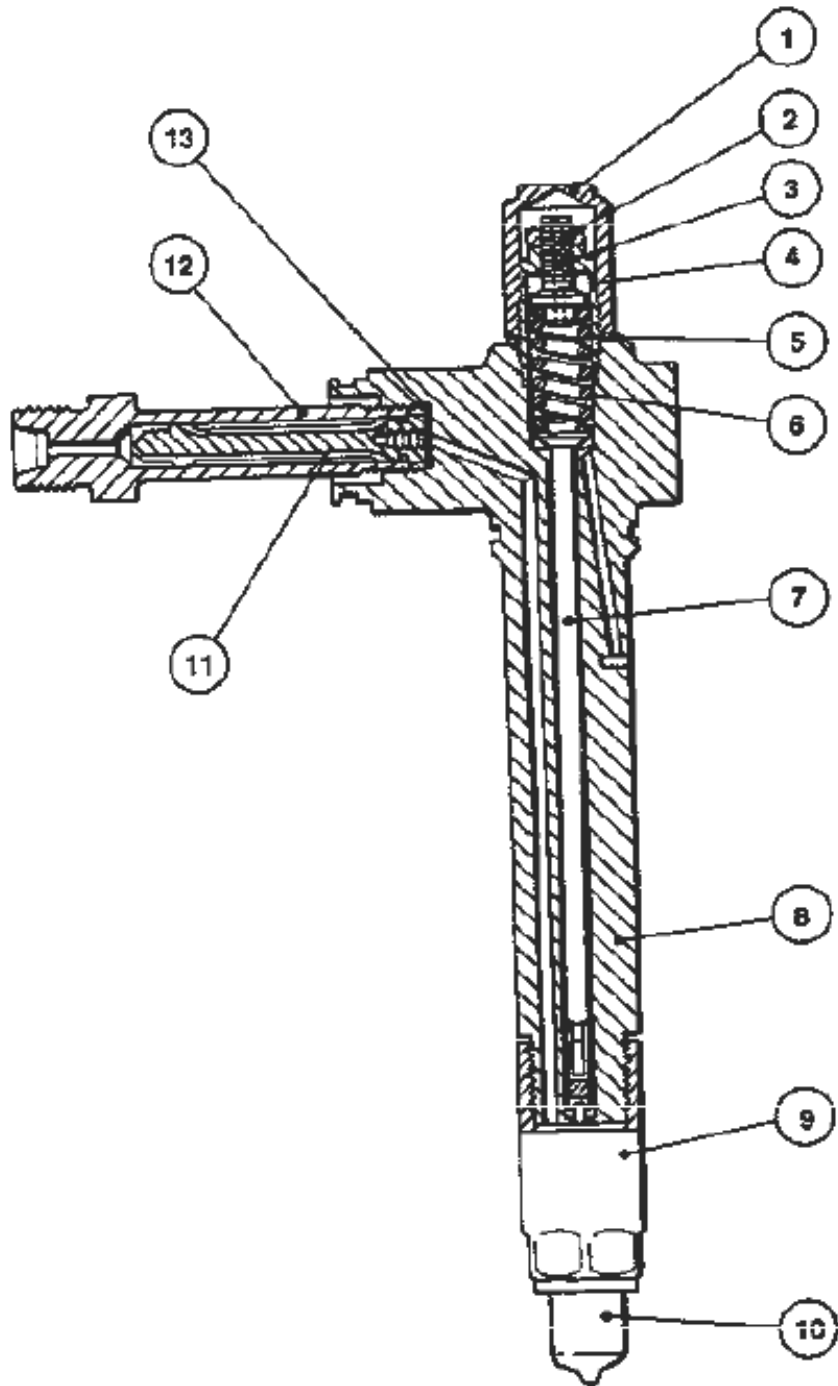


FCCAB200B0637 Fuel Injection Pump

99/418 Injector for Cockerill T240C-0 & TR240C-0 Engines

(April 1995, Issue #2)

Item No.	Part Name	Woodward No.	Cockerill No.
	Injector	99/418	
1	Cap nut	52/115	123958MA
2	Locknut-adjusting screw	112/5011	
3	Screw-adjusting	52/409	125048MA
4	Spring housing	52/114	
5	Washer	113/9	
6	Spring-injector	52/454	
7	Spindle assembly	52/206L	
8	Nozzle holder body	52/290	
9	Nozzle nut	52/96	
10	Nozzle assembly	HL150T38L748P8	123888MA2
11	Edge filter	7024/57	
12	Inlet connector	7024/58H	123967MA
13	Washer-inlet connector	106/83	

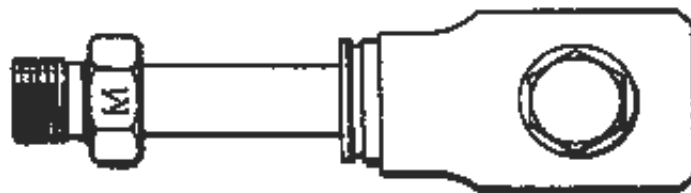
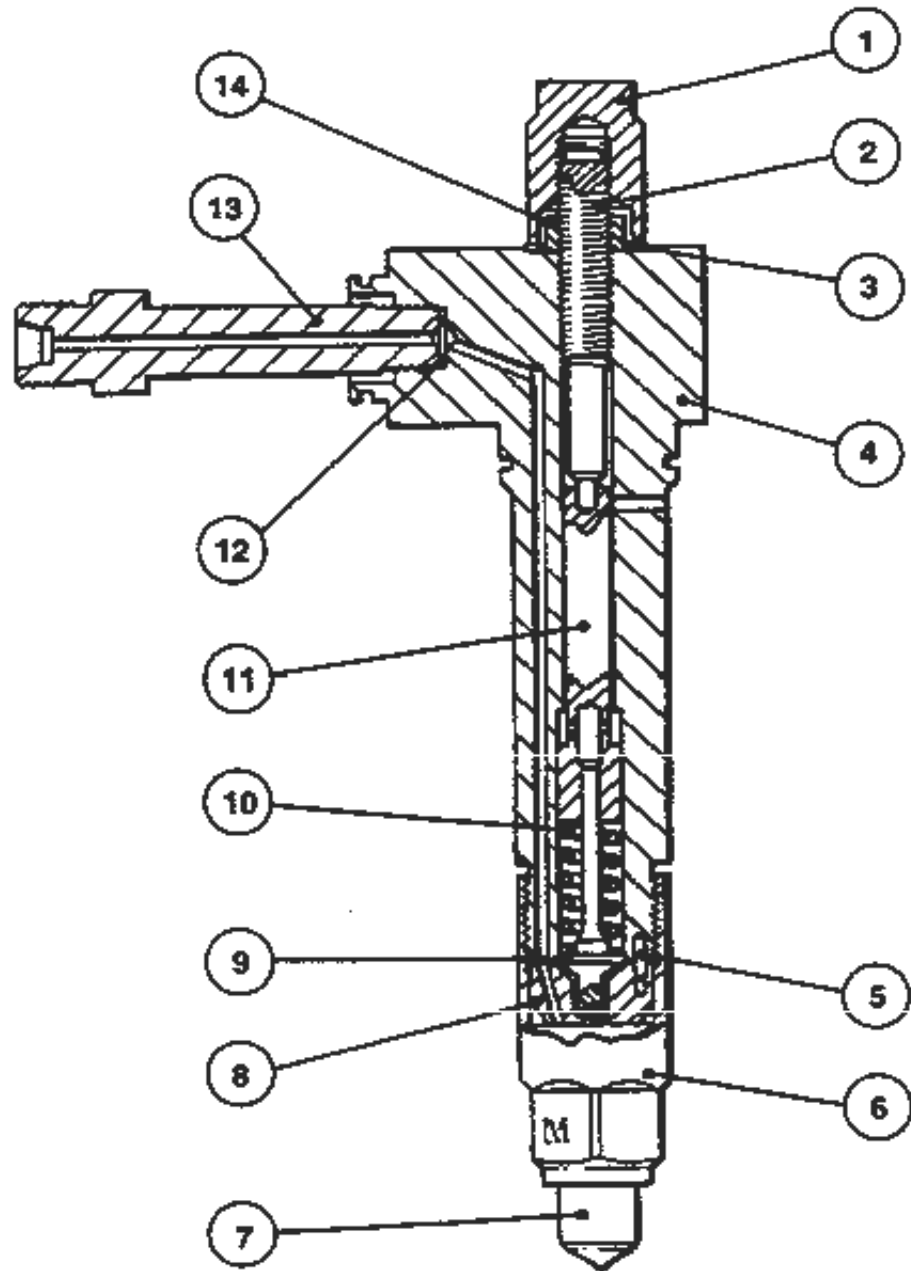


99/418 Injector

99/427 Injector
for Cockerill T240C-0, T240C-0 (uprate) & TR240C-0
Engines

(April 1995, Issue #2)

Item			
No.	Part Name	Woodward No.	Cockerill No.
	Injector	99/427	
1	Cap nut	52/486	125128MA
2	Screw-adjusting	52/487	125226MA
3	Washer	113/9	
4	Nozzle holder body	52/484	
5	Dowel (2)	52/440	
6	Nozzle nut	52/489	
7	Nozzle assembly	HL150T38L748P8	
8	Transfer block	52/485	
9	Spindle-guided thrust	52/357	
10	Spring-injector	52/358	
11	Spindle-one piece guided	52/356C	
12	Washer-inlet connector	5936/95L	125132MA
13	Inlet connector	52/488	125131MA
14	Locknut-adjusting screw	386/3	125130MA

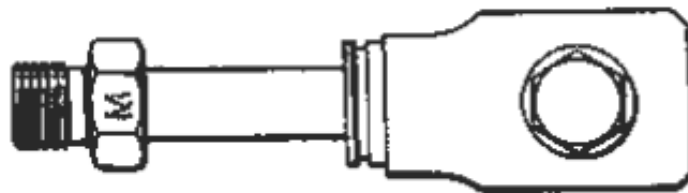
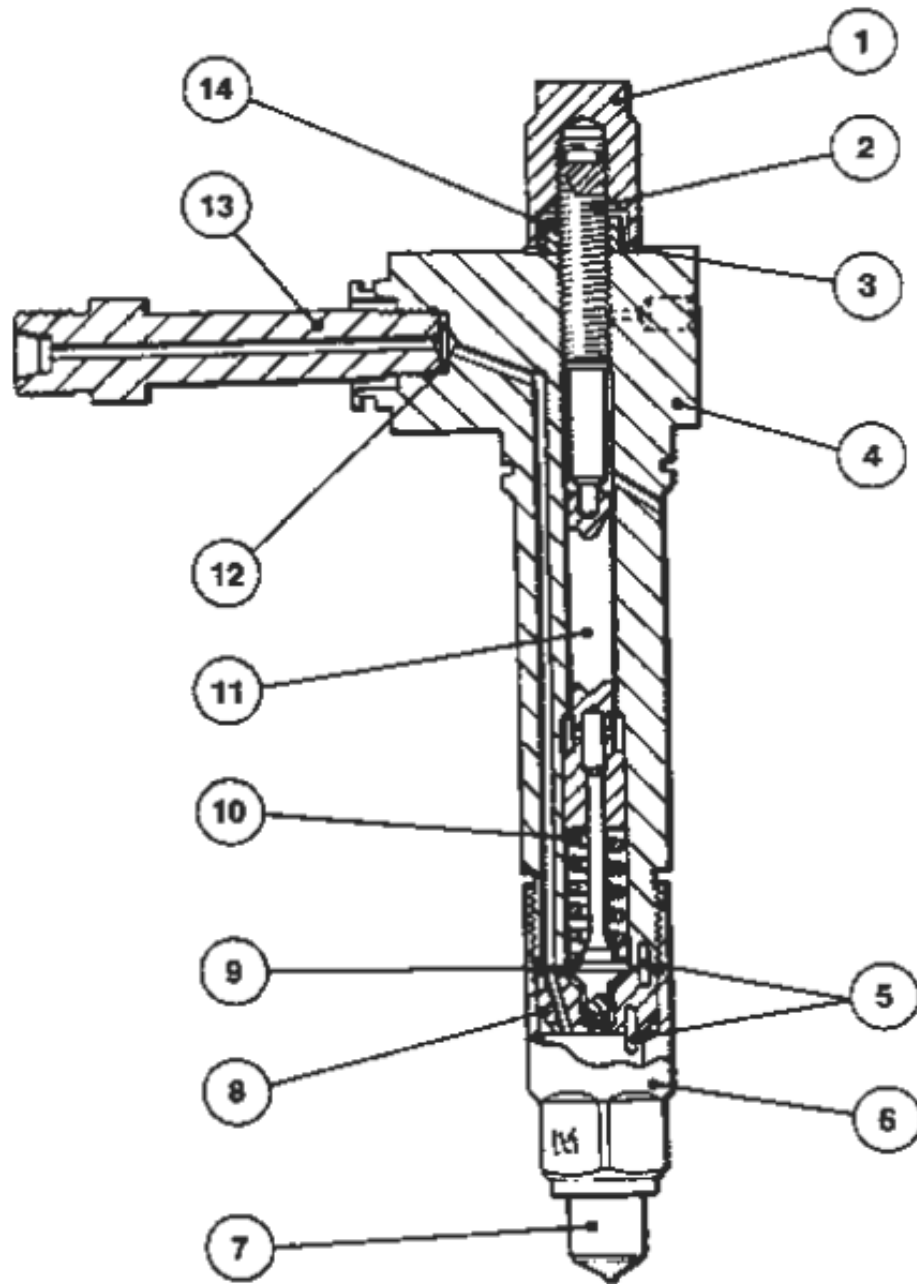


99/427 Injector

99/453 Injector for Cockerill G-TR240C-0 Engine

(April 1995, Issue #2)

Item No.	Part Name	Woodward No.	Cockerill No.
	Injector	99/453	
1	Cap nut	52/486	125128MA
2	Screw-adjusting	52/487	125226MA
3	Washer	113/9	
4	Nozzle holder body	52/497	
5	Dowel (4)	51/415A	
6	Nozzle nut	52/489	
7	Nozzle assembly	HL150T38L703P8	
8	Transfer block	52/355	
9	Spindle	52/357	
10	Spring-injector	52/358	
11	Spindle-one piece guided	52/356C	
12	Washer-inlet connector	5936/95L	125132MA
13	Inlet connector	52/488	125131MA
14	Locknut-adjusting screw	386/3	125130MA



99/453 Injector

We appreciate your comments about the content of our publications.

Send comments to: icinfo@woodward.com

Please include the manual number from the front cover of this publication.



PO Box 1519, Fort Collins CO 80522-1519, USA
1000 East Drake Road, Fort Collins CO 80525, USA
Phone +1 (970) 482-5811 • Fax +1 (970) 498-3058

Email and Website—www.woodward.com

**Woodward has company-owned plants, subsidiaries, and branches,
as well as authorized distributors and other authorized service and sales facilities throughout the world.**

Complete address / phone / fax / email information for all locations is available on our website.