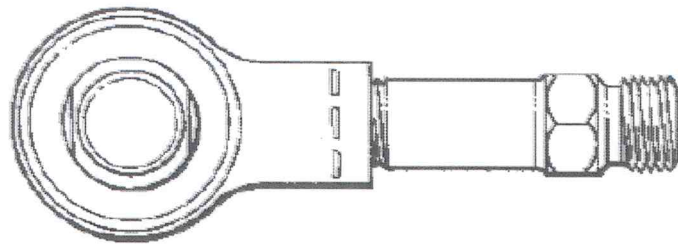
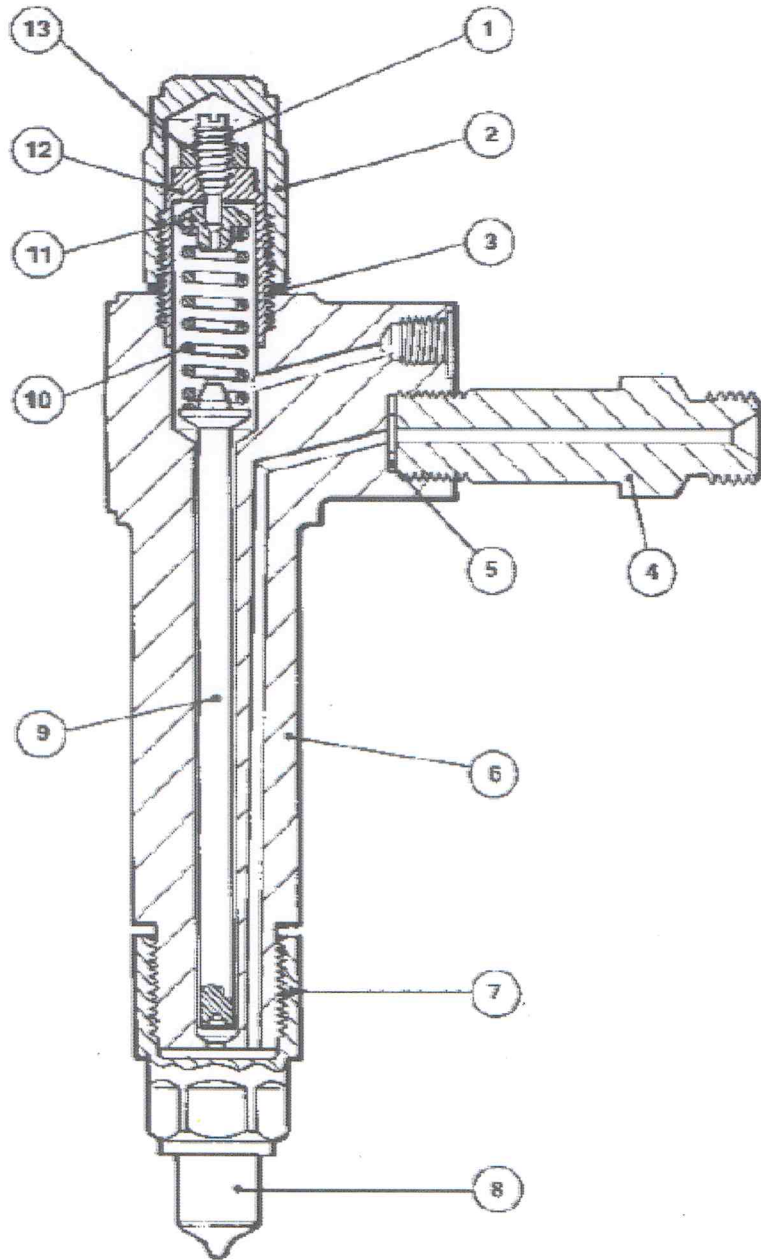


99/SS11 Injector
for Rolls-Royce Engines:

KV (uprated, Heavy fuel)

Item No.	Part Name	Woodward No.	Rolls-Royce No.
	Injector	99/389	4320-0040
1	Screw-adjusting	51/91	4351-0052
2	Cap nut	52/386	
3	Washer	113/9	
4	Inlet connector	52/382	4353-22
5	Washer-inlet connector	106/83	4350-0062
6	Nozzle holder body	52/399A	
7	Nozzle nut	52/351	
8	Nozzle assembly	NA00072 (H15GT36L833PS)	
9	Spindle assembly	52/75K	
10	Spring-injector	52/454	
11	Spring plate-upper	51/173	4354-13
12	Spring housing	52/114	4352-22
13	Locknut-adjusting screw	112/5011	4352-24



99/SS17 Injector