



**Illustrated Parts Catalogue**

**Illustrated Parts Catalogue  
Woodward Diesel Systems**

**Anglo Belgian Corporation  
Pumps & Injectors**

**Manual 55171**

## General

This Illustrated Parts Catalog (IPC) is designed to assist customers in identifying spare parts for the most common applications of Woodward equipment.

We recognize that there may be instances where engines of identical type have, at times, been fitted with fuel injection equipment which differs from that listed. It is important, therefore, to quote the type-code of the equipment in use when ordering replacement parts.

A number in parenthesis indicates quantity per unit of more than one.

An item number with suffix "ND" indicates item Not Drawn, and suffix "AR" indicates As Required.

Part numbers of other manufacturers are included for cross reference purposes only.

It is Woodward policy to update the information contained in this catalog periodically and to re-issue to Distributors and Operators as appropriate.

This IPC contains the spare part and sub assembly level of breakdown consistent with the overhaul and maintenance policy recommended by Woodward Diesel Systems.

If you have a need for additional or change information to be included in this IPC or for other applications to be added please contact Woodward Customer Services Department. Your requirements will be considered at the next revision point.

Woodward Diesel Systems strive to achieve the maximum accuracy of the information provided within this document, no liability can be accepted by Woodward for damage, loss or injury caused by any errors in the information within this IPC.

To guarantee the safety, performance, and reliability of the equipment, only genuine Woodward spares must be used during rework.

## References

These publications are available at [www.woodward.com/publications](http://www.woodward.com/publications):

**55142**—Diesel Engine Fuel Pump Supersession List

**55143**—Diesel Engine Fuel Pump Application List

**55151**—Fuel Injection Equipment Introductory Manual

**55152**—Practical Aspects of Fuel Injection Equipment

Woodward Governor Company reserves the right to update any portion of this publication at any time. Information provided by Woodward Governor Company is believed to be correct and reliable. However, no responsibility is assumed by Woodward Governor Company unless otherwise expressly undertaken.

© Woodward 2008  
All Rights Reserved

# Contents

FCCAB180B0547 Fuel Injection Pump .....	2
FCVAB200B0670 Fuel Injection Pump .....	4
FCVAB200B0714 Fuel Injection Pump .....	6
FCVAB200C0714 Fuel Injection Pump .....	8
FCVAB200B1037 Fuel Injection Pump .....	10
99/454 Injector .....	12
99/662 Injector .....	14
99/663 Injector .....	16
99/666 Injector .....	18

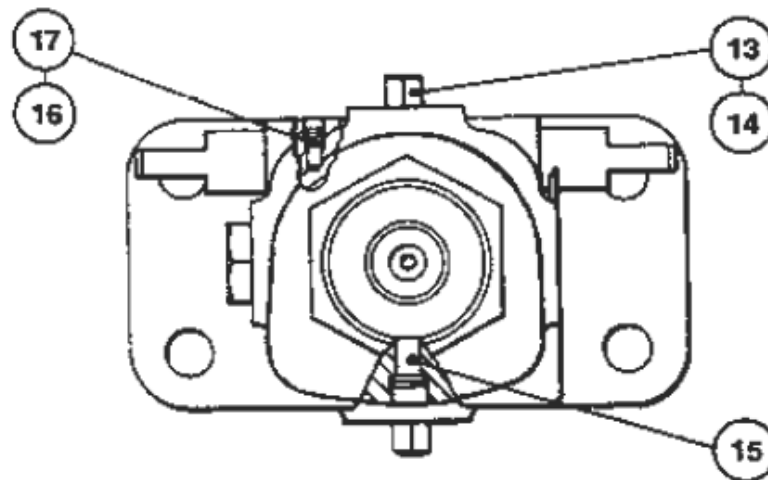
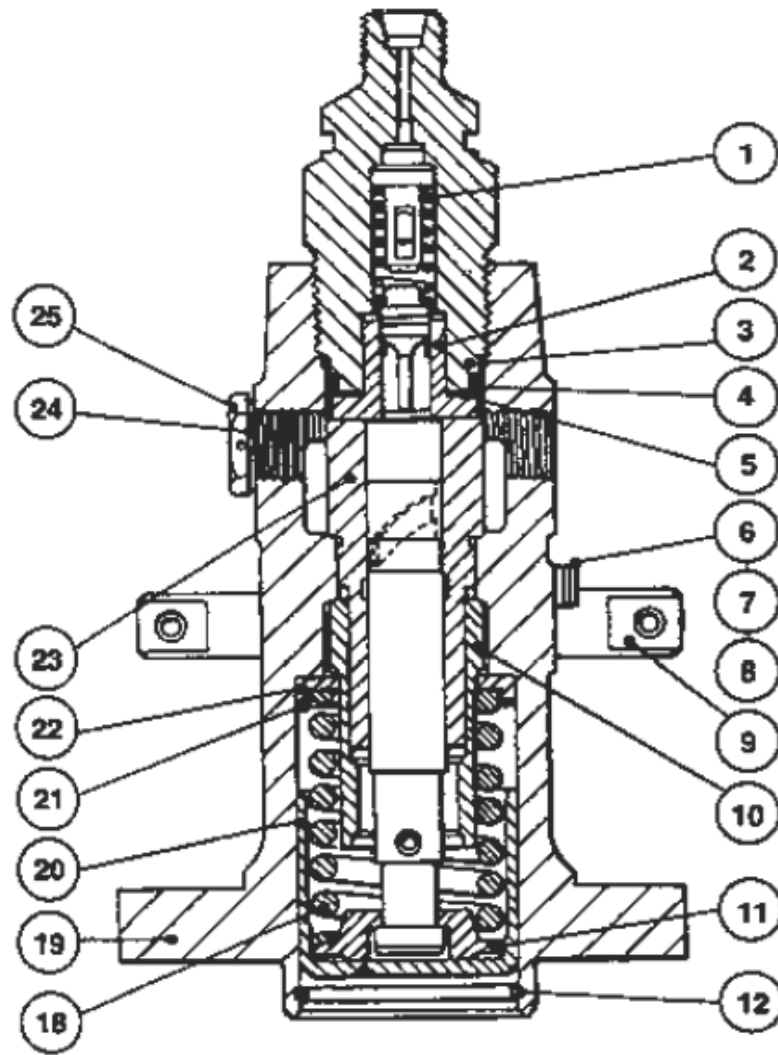
## Anglo Belgian Corporation

Pump	Injector	Engine Ref.
FCCAB180B0547	—	DXC
FCVAB200B0670	99/454	DZ
FCVAB200B0670	99/662	DZ
FCVAB200B0670	99/663	DZ
FCVAB200B0714	—	DZ
FCVAB200C0714	—	DZ
FCVAB200C0714	99/666	DZ
FCVAB200B1037	99/663	DZ

## FCCAB180B0547 Fuel Injection Pump for Anglo Belgian DXC Engine

(April 1995, Issue #2)

Item No.	Part Name	Woodward No.	Anglo Belgian No.
	Fuel Pump	FCCAB180B0547	610-014-1100-12
1	Spring-delivery valve	6/121	610-014-1113-11
2	Delivery valve & seat assembly	21/125B	610-014-1111-11 DX14-105
3	Delivery valve holder	6/234	DX14-109
4	Seal-O-ring	372/20	610-014-1115-12
5	Seal-high pressure	6/120	610-014-1117-11 DX14-107
6	Pointer-control rod	3/2A	620-014-1122-02
7	Screw-pointer	297/203	620-014-1123-02
8	Shims-pointer (1AR)	106/1A-E	
9	Control rod assembly	6/183	610-014-1104-11
10	Control sleeve	6/349	
11	Spring plate-lower	6/107	620-014-1107-02
12	Circlip-lower	6/105	620-014-1110-02
13	Spill plug (2)	6/464	
14	Washer-spill plug (2)	113/27	610-014-1121-11
15	Dowel-barrel locating	6/125	610-014-1118-11
16	Screw-control rod locating (2)	25/17	610-014-1119-11
17	Lead seal (2)	2/2	
18	Spring-plunger	6/109	610-014-1106-11
19	Pump-housing	6/306	610-014-1101-11
20	Tappet	6/106	610-014-1105-11 DX14-104
21	Circlip-upper	25/25	620-014-1109-02
22	Spring plate-upper	7022/232	620-014-1108-02
23	Element assembly	6/110C	610-014-1102-11 DX14-101
24	Washer-inlet connector	NW5/50W4	610-014-1126-11
25	Blanking plug-inlet	6/102	610-014-1125-11

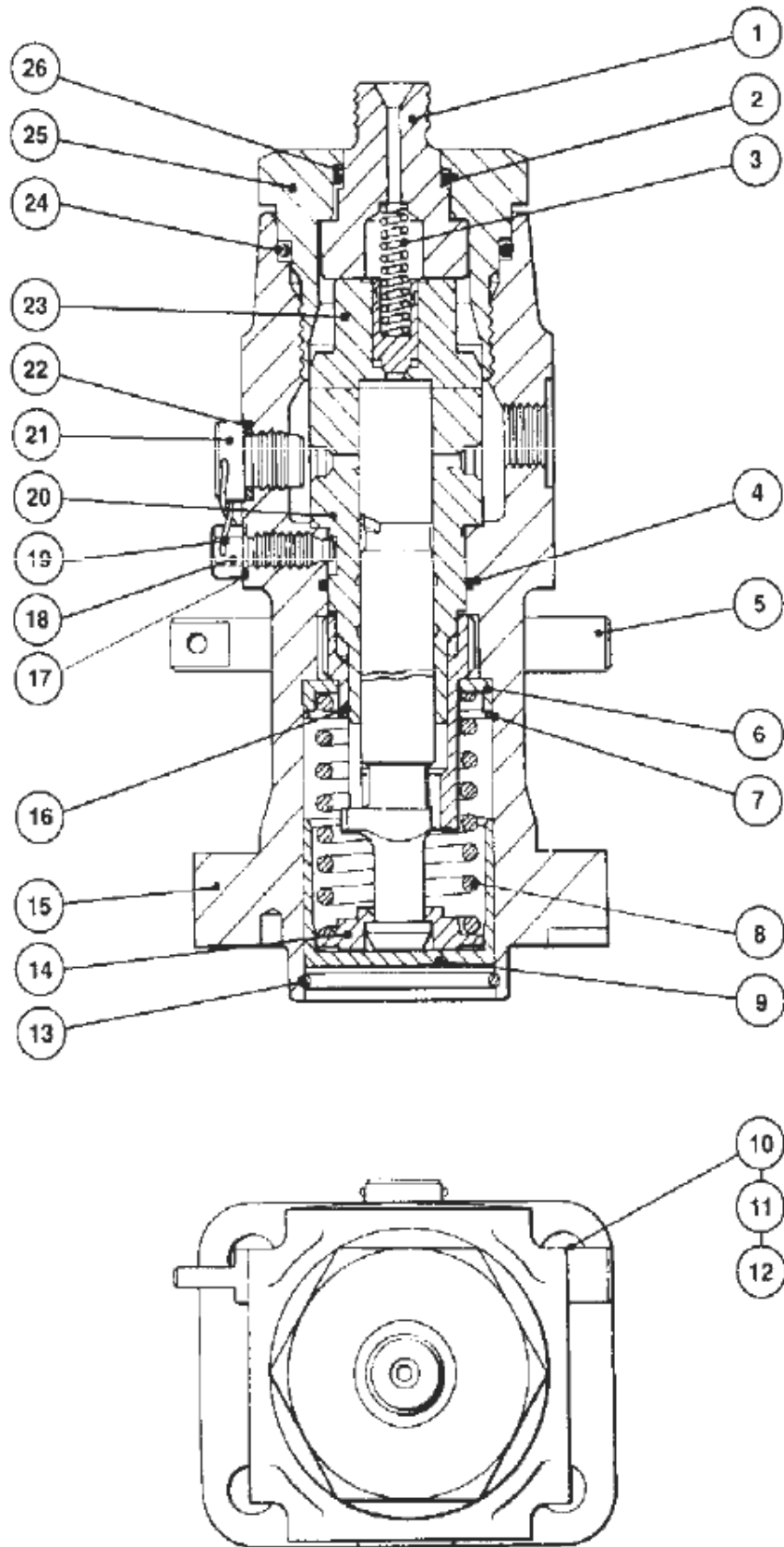


FCCAB180B0547 Fuel Injection Pump

## FCVAB200B0670 Fuel Injection Pump for Anglo Belgian DZ Engine

(May 2000, Issue #7)

<b>Item</b>			
<b>No.</b>	<b>Part Name</b>	<b>Woodward No.</b>	<b>Anglo Belgian No.</b>
	Fuel Pump	FCVAB200B0670	620-014-1100-02
1	Delivery valve holder	36/38	620-014-1112-02
2	Seal-O-ring	372/15	620-014-1116-02
3	Spring-delivery valve	36/34	620-014-1113-02
4	Seal-O-ring	372/18	620-014-1125-02
5	Control rod assembly	36/82	
6	Spring plate-upper	7022/232	620-014-1108-02
7	Circlip-upper	25/25	620-014-1109-02
8	Spring-plunger	36/31	620-014-1106-02
9	Tappet	6/289	620-014-1105-02
10	Pointer-control rod	3/2A	620-014-1122-02
11	Screw-pointer	297/204	
12	Shims-pointer (AR)	106/1A-E	
13	Circlip-lower	6/105	620-014-1110-02
14	Spring plate-lower	6/107	620-014-1107-02
15	Pump-housing	36/80	
16	Control sleeve	36/30	620-014-1103-02
17	Washer-locating screw	NW5/22	620-014-1119-02
18	Screw-barrel locating	36/27	620-014-111-02
19	Locking-wire (AR)	18SWG	
20	Element assembly	36/78E	620-014-1102-02
21	Spill plug	21/201	620-014-1120-02
22	Washer-spill plug	113/62	620-014-1121-02
23	Delivery valve & seat assembly	36/54E	620-014-1111-02
24	Seal-O-ring	372/36	620-014-1115-02
25	Retaining nut	36/56	620-014-1114-02
26	Washer-O-ring	106/116	620-014-1117-02



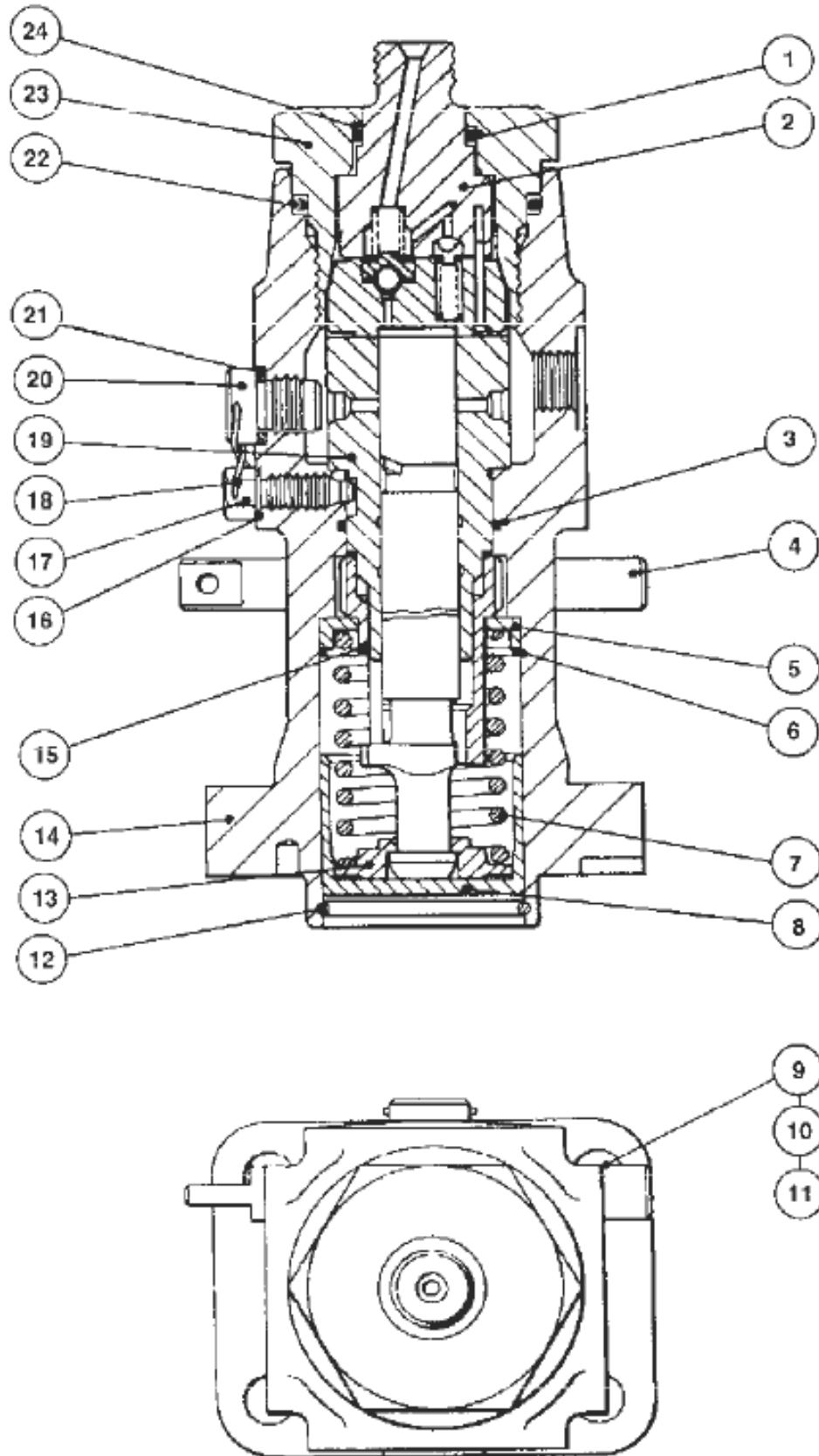
FCVAB200B0670 Fuel Injection Pump

## FCVAB200B0714 Fuel Injection Pump for Anglo Belgian DZ Engine

(June 1999, Issue #5)

Item No.	Part Name	Woodward No.	Anglo Belgian No.
	Fuel Pump	FCVAB200C0714	
1	Seal-O-ring	372/15	620-014-1116-02
2	PUDV assembly	36/179G	
3	Seal-O-ring	372/18	620-014-1125-02
4	Control rod assembly	36/82	
5	Spring plate-upper	7022/232	620-014-1108-02
6	Circlip-upper	25/25	620-014-1109-02
7	Spring-plunger	36/31	620-014-1106-02
8	Tappet	6/289	620-014-1105-02
9	Pointer-control rod	3/2A	620-014-1122-02
10	Screw-pointer	297/203	620-014-1123-02
11	Shims-pointer (AR)	106/1A-E	
12	Circlip-lower	6/105	620-014-1110-02
13	Spring plate-lower	6/107	620-014-1107-02
14	Pump-housing	36/197	
15	Control sleeve	36/30	620-014-1103-02
16	Washer-locating screw (3)	NW5/22	620-014-1119-02
17	Screw-barrel locating	36/27	620-014-111-02
18	Locking-wire (AR)	18SWG	
19	Element assembly	36/78E	620-014-1102-02
20	Spill plug	21/201	620-014-1120-02
21	Washer-spill plug	113/62	620-014-1121-02
22	Seal-O-ring	372/36	620-014-1115-02
23	Retaining nut	36/56	620-014-1114-02
24	Washer-O-ring	106/116	620-014-1117-02
25ND	Plug-brass	119/5081	
26ND	Check-valve	413/1	



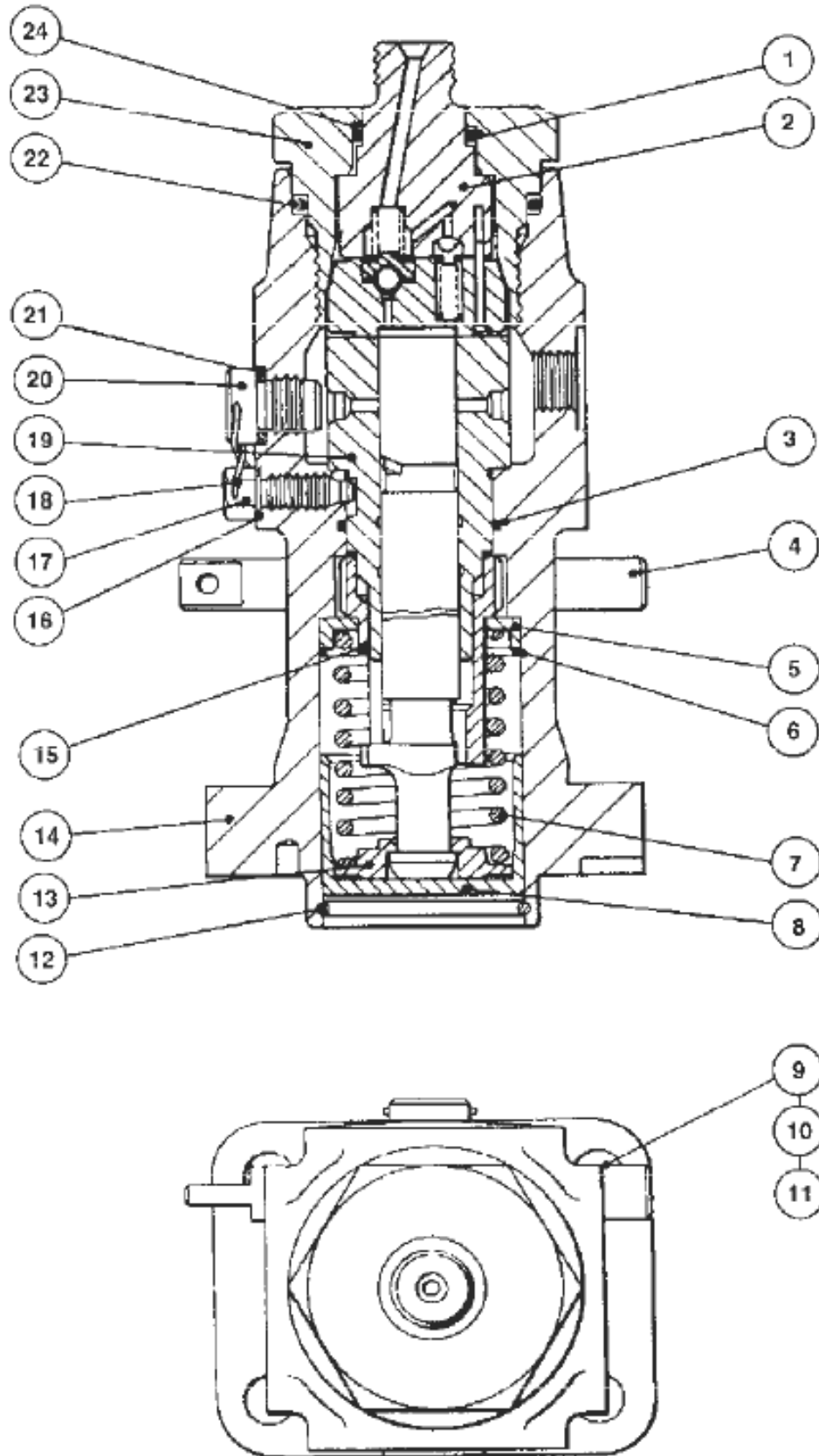


FCVAB200B0714 Fuel Injection Pump

## FCVAB200C0714 Fuel Injection Pump for Anglo Belgian DZ Engine

(June 1999, Issue #5)

Item No.	Part Name	Woodward No.	Anglo Belgian No.
	Fuel Pump	FCVAB200C0714	
1	Seal-O-ring	372/15	620-014-1116-02
2	PUDV assembly	36/179G	
3	Seal-O-ring	372/18	620-014-1125-02
4	Control rod assembly	36/82	
5	Spring plate-upper	7022/232	620-014-1108-02
6	Circlip-upper	25/25	620-014-1109-02
7	Spring-plunger	36/31	620-014-1106-02
8	Tappet	6/289	620-014-1105-02
9	Pointer-control rod	3/2A	620-014-1122-02
10	Screw-pointer	297/203	620-014-1123-02
11	Shims-pointer (AR)	106/1A-E	
12	Circlip-lower	6/105	620-014-1110-02
13	Spring plate-lower	6/107	620-014-1107-02
14	Pump-housing	36/197	
15	Control sleeve	36/30	620-014-1103-02
16	Washer-locating screw (3)	NW5/22	620-014-1119-02
17	Screw-barrel locating	36/27	620-014-111-02
18	Locking-wire (AR)	18SWG	
19	Element assembly	36/78E	620-014-1102-02
20	Spill plug	21/201	620-014-1120-02
21	Washer-spill plug	113/62	620-014-1121-02
22	Seal-O-ring	372/36	620-014-1115-02
23	Retaining nut	36/56	620-014-1114-02
24	Washer-O-ring	106/116	620-014-1117-02
25ND	Plug-brass	119/5081	
26ND	Check-valve	413/1	

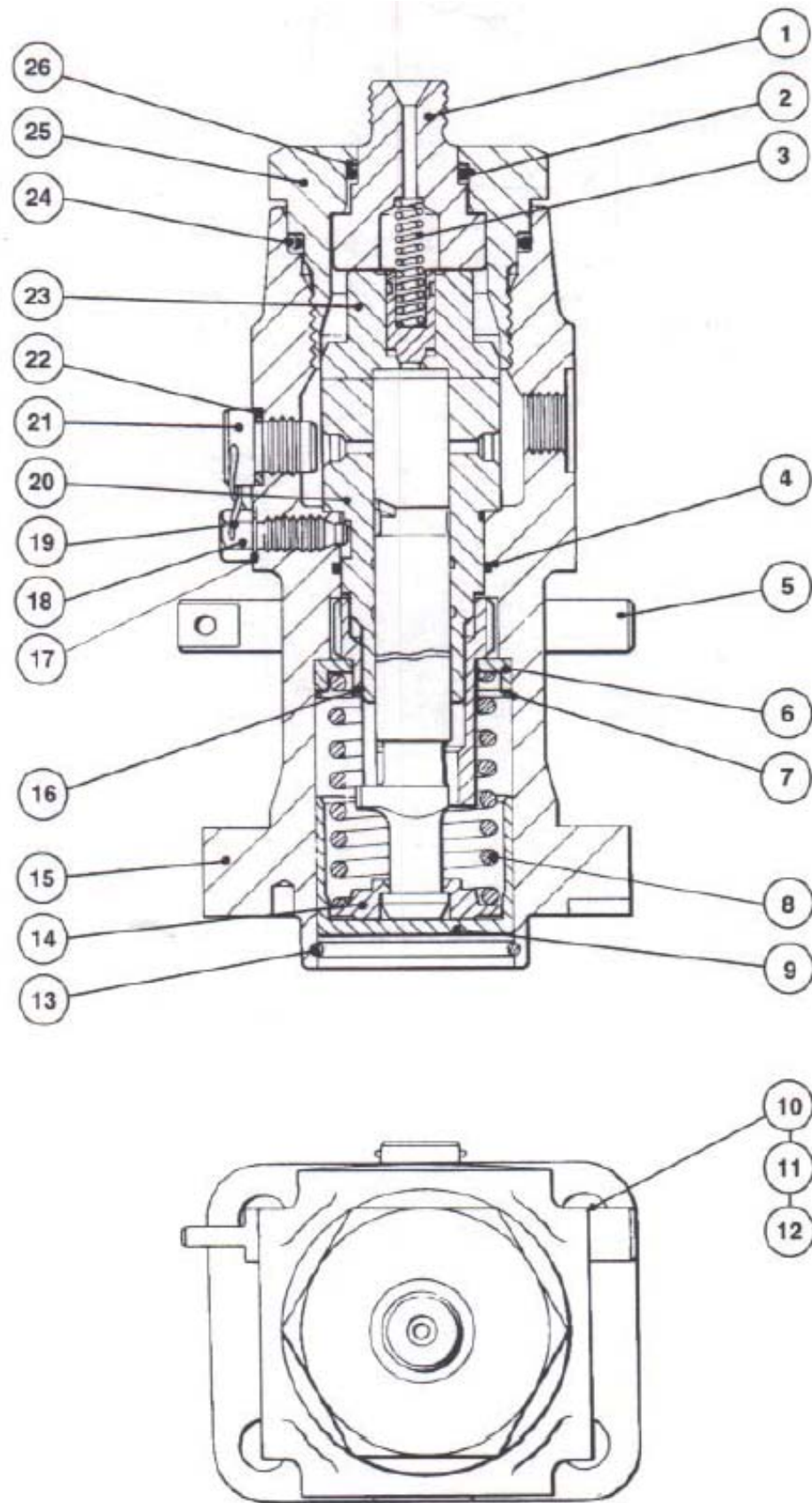


FCVAB200C0714 Fuel Injection Pump

## FCVAB200B1037 Fuel Injection Pump for Anglo Belgian DZ Engine

(October 1998, Issue #1)

Item			
No.	Part Name	Woodward No.	Anglo Belgian No.
	Fuel Pump	FCVAB200B1037	
1	Delivery valve holder	36/38	620-014-1112-02
2	Seal-O-ring	372/15	620-014-1116-02
3	Spring-delivery valve	36/34	620-014-1113-02
4	Seal-O-ring	372/18	620-014-1125-02
5	Control rod assembly	36/82	
6	Spring plate-upper	7022/232	620-014-1108-02
7	Circlip-upper	25/25	620-014-1109-02
8	Spring-plunger	36/31	620-014-1106-02
9	Tappet	6/289	620-014-1105-02
10	Pointer-control rod	3/2A	620-014-1122-02
11	Screw-pointer	297/203	620-014-1123-02
12	Shims-pointer (AR)	106/1A-E	
13	Circlip-lower	6/105	620-014-1110-02
14	Spring plate-lower	6/107	620-014-1107-02
15	Pump-housing	36/80	
16	Control sleeve	36/30	620-014-1103-02
17	Washer-locating screw	NW5/22	620-014-1119-02
18	Screw-barrel locating	36/27	620-014-111-02
19	Locking-wire (AR)	18SWG	
20	Element assembly	36/356E	
21	Spill plug	21/201	620-014-1120-02
22	Washer-spill plug	113/62	620-014-1121-02
23	Delivery valve & seat assembly	36/54E	620-014-1111-02
24	Seal-O-ring	372/36	620-014-1115-02
25	Retaining nut	36/56	620-014-1114-02
26	Washer-O-ring	106/116	620-014-1117-02

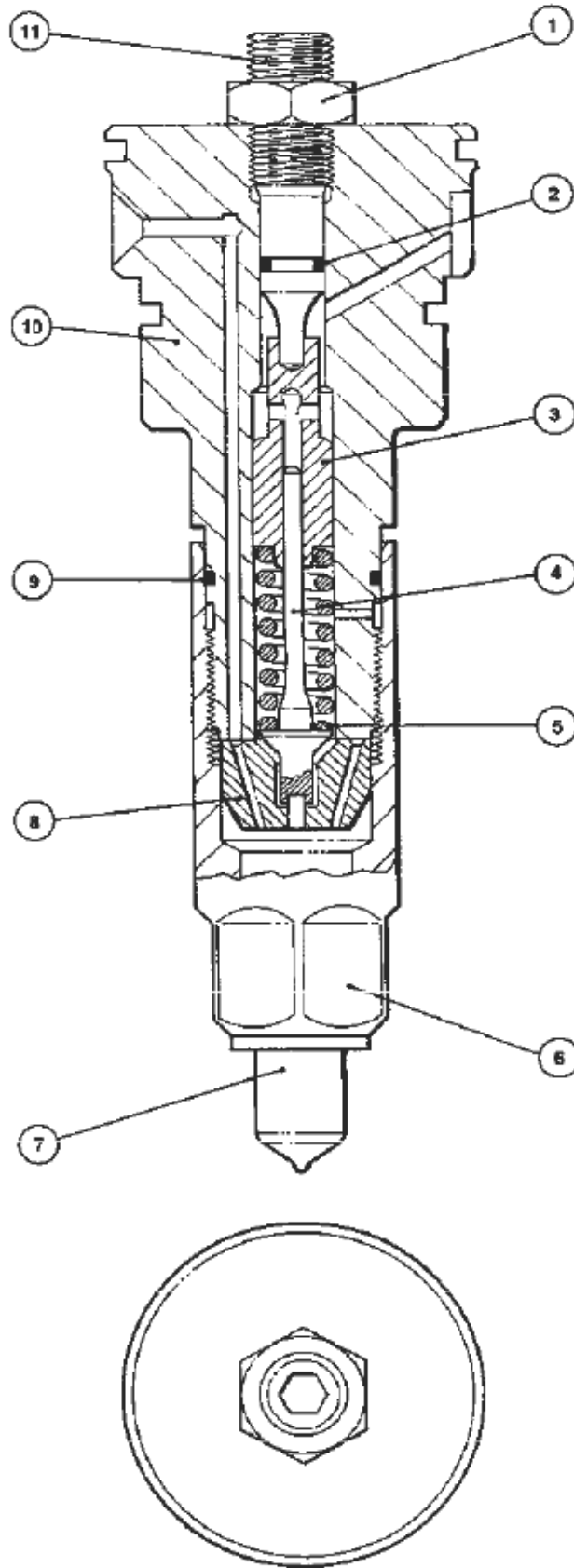


FCVAB200B1037 Fuel Injection Pump

## 99/454 Injector for Anglo Belgian DZ Engine

(April 1995, Issue #2)

<b>Item No.</b>	<b>Part Name</b>	<b>Woodward No.</b>	<b>Anglo Belgian No.</b>
	Injector	99/454	620-014-1200-02
1	Locknut-adjusting screw	NU14-14Y1	620-014-1207-01
2	Seal-O-ring	372/6	620-014-1208-01
3	Spindle-one piece	52/356E	620-014-1203-01
4	Spindle	52/357	620-014-1204-01
5	Spring-injector	52/358	620-014-1205-01
6	Nozzle nut	52/536	620-014-1209-02
7	Nozzle assembly	HL150T44H718P5	620-014-9001-02
8	Transfer block	52/425	620-014-1202-01
9	Seal-O-ring	372/9	620-014-1210-01
10	Nozzle holder assembly	52/535	
11	Screw-adjusting	52/500	620-014-1206-01



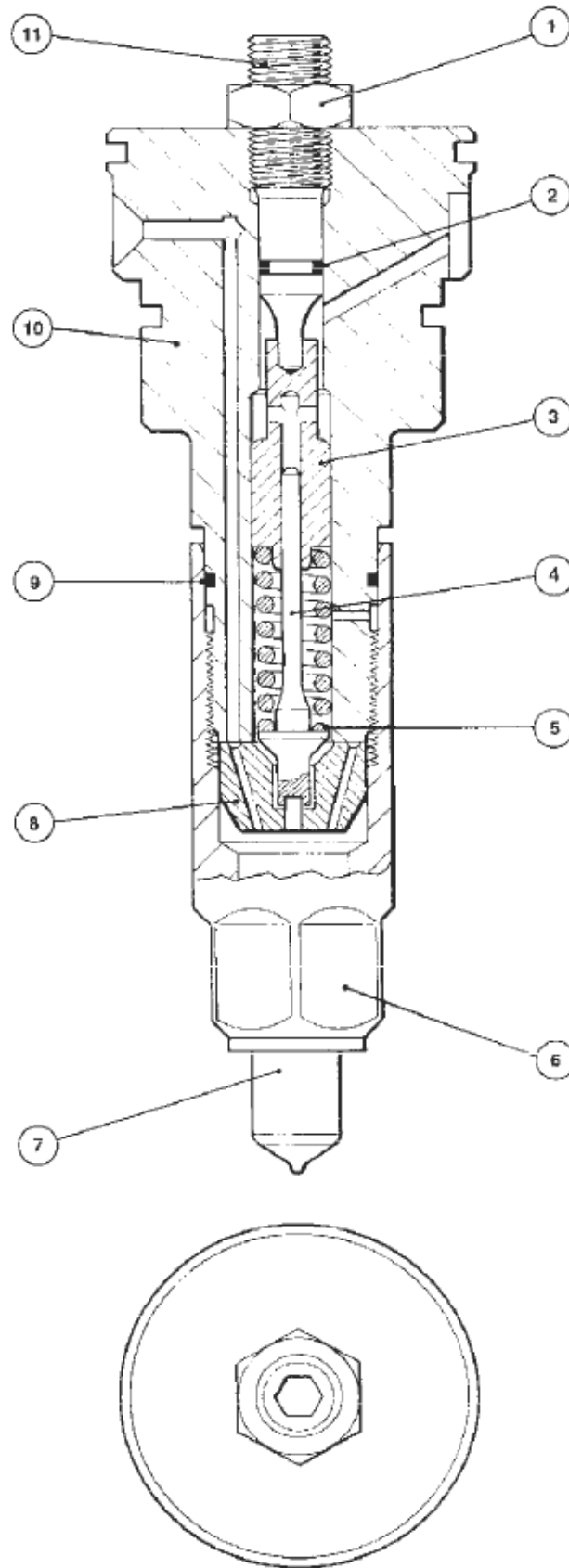
99/454 Injector

## 99/662 Injector for Anglo Belgian DZ Engine

(May 2000, Issue #7)

<b>Item No.</b>	<b>Part Name</b>	<b>Woodward No.</b>	<b>Anglo Belgian No.</b>
	Injector	99/662	
1	Locknut-adjusting screw	NU14-14Y1	620-014-1207-01
2	Seal-O-ring	372/6	620-014-1208-01
3	Spindle-one piece	52/356E	620-014-1203-01
4	Spindle	52/357	620-014-1204-01
5	Spring-injector	52/358	620-014-1205-01
6	Nozzle nut	52/536	620-014-1209-02
7	Nozzle assembly	HL150T38K775P4	
8	Transfer block	52/425	620-014-1202-01
9	Seal-O-ring	372/9	620-014-1210-01
10	Nozzle holder body	52/535	
11	Screw-adjusting	52/500	620-014-1206-01



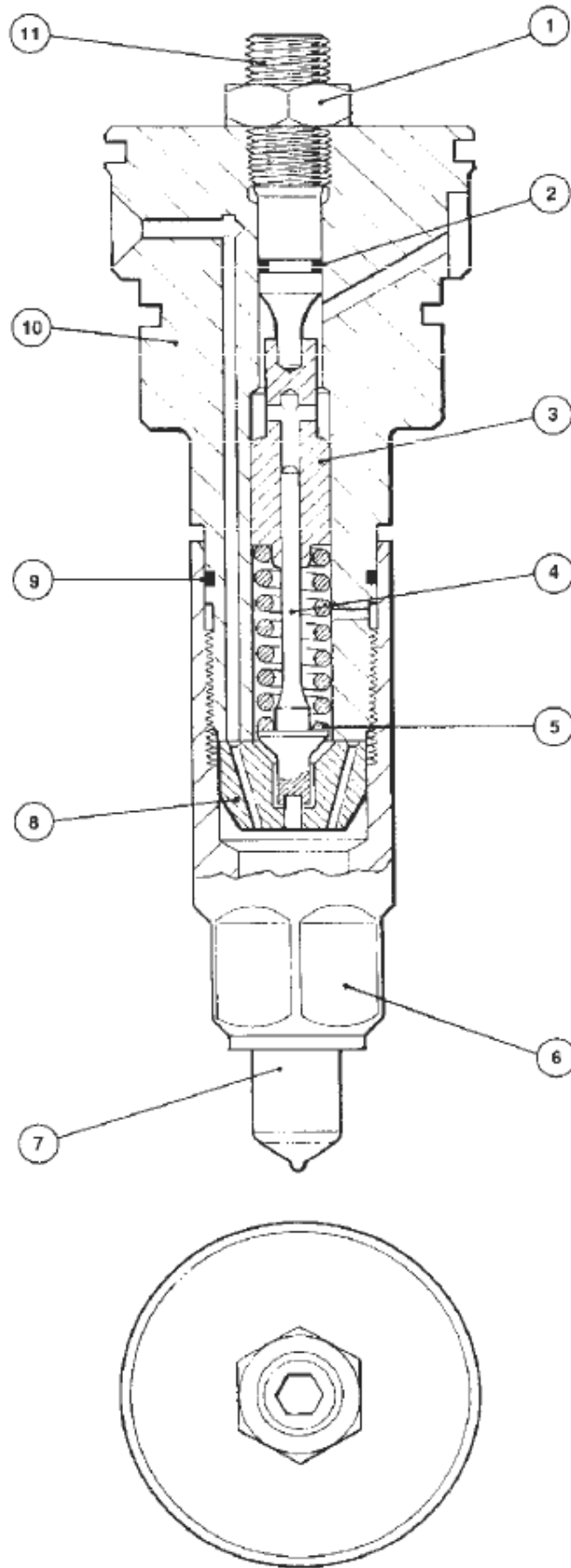


99/662 Injector

## 99/663 Injector for Anglo Belgian DZ Engine

(May 2000, Issue #7)

<b>Item No.</b>	<b>Part Name</b>	<b>Woodward No.</b>	<b>Anglo Belgian No.</b>
	Injector	99/663	
1	Locknut-adjusting screw	NU14-14Y1	620-014-1207-01
2	Seal-O-ring	372/6	620-014-1208-01
3	Spindle-one piece	52/356E	620-014-1203-01
4	Spindle	52/357	620-014-1204-01
5	Spring-injector	52/358	620-014-1205-01
6	Nozzle nut	52/536	620-014-1209-02
7	Nozzle assembly	HL150T38L748P8	
8	Transfer block	52/425	620-014-1202-01
9	Seal-O-ring	372/9	620-014-1210-01
10	Nozzle holder body	52/535	
11	Screw-adjusting	52/500	620-014-1206-01

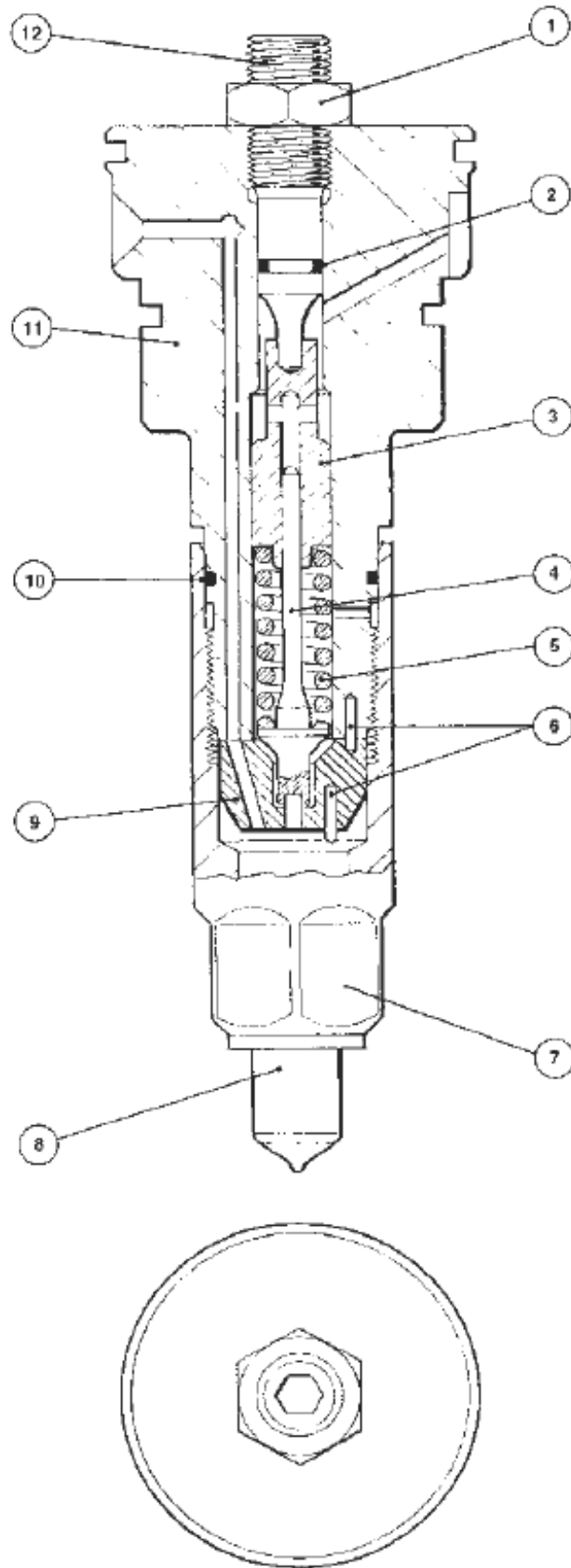


99/663 Injector

## 99/666 Injector for Anglo Belgian DZ Engine

(July 2000, Issue #6)

<b>Item No.</b>	<b>Part Name</b>	<b>Woodward No.</b>	<b>Anglo Belgian No.</b>
	Injector	99/666	
1	Locknut-adjusting screw	NU14-14Y1	620-014-1207-01
2	Seal-O-ring	372/6	620-014-1208-01
3	Spring spindle	52/356E	620-014-1203-01
4	Thrust spindle guided	52/357	620-014-1204-01
5	Spring-injector	52/358	620-014-1205-01
6	Dowel (4)	51/415A	
7	Nozzle nut	52/536	620-014-1209-02
8	Nozzle assembly	HL150T44H795P5	
9	Transfer block	52/355	
10	Seal-O-ring	372/9	620-014-1210-01
11	Nozzle holder body	52/645	
12	Screw-adjusting	52/500	620-014-1206-01



99/666 Injector

**We appreciate your comments about the content of our publications.**

**Send comments to: [icinfo@woodward.com](mailto:icinfo@woodward.com)**

**Please include the manual number from the front cover of this publication.**



PO Box 1519, Fort Collins CO 80522-1519, USA  
1000 East Drake Road, Fort Collins CO 80525, USA  
Phone +1 (970) 482-5811 • Fax +1 (970) 498-3058

**Email and Website—[www.woodward.com](http://www.woodward.com)**

**Woodward has company-owned plants, subsidiaries, and branches,  
as well as authorized distributors and other authorized service and sales facilities throughout the world.**

**Complete address / phone / fax / email information for all locations is available on our website.**